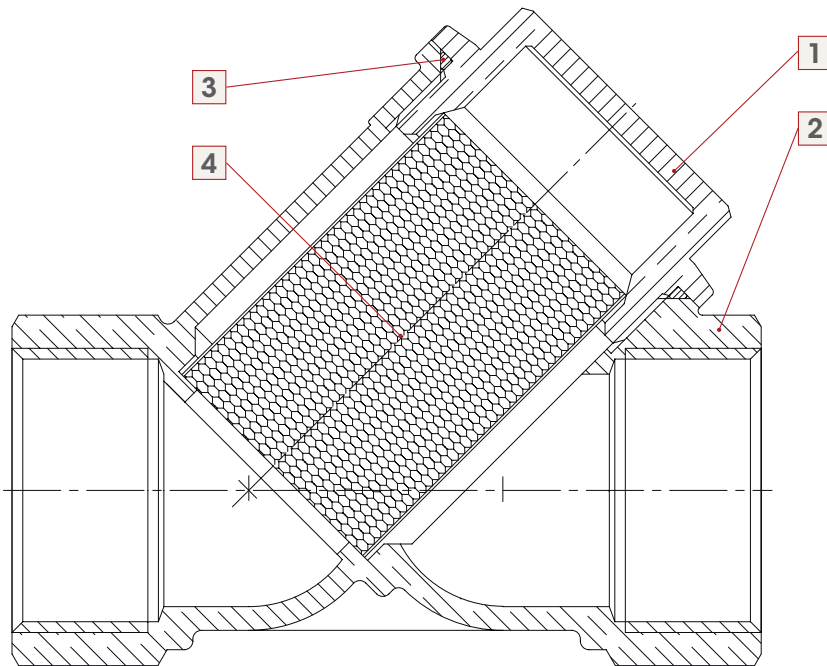


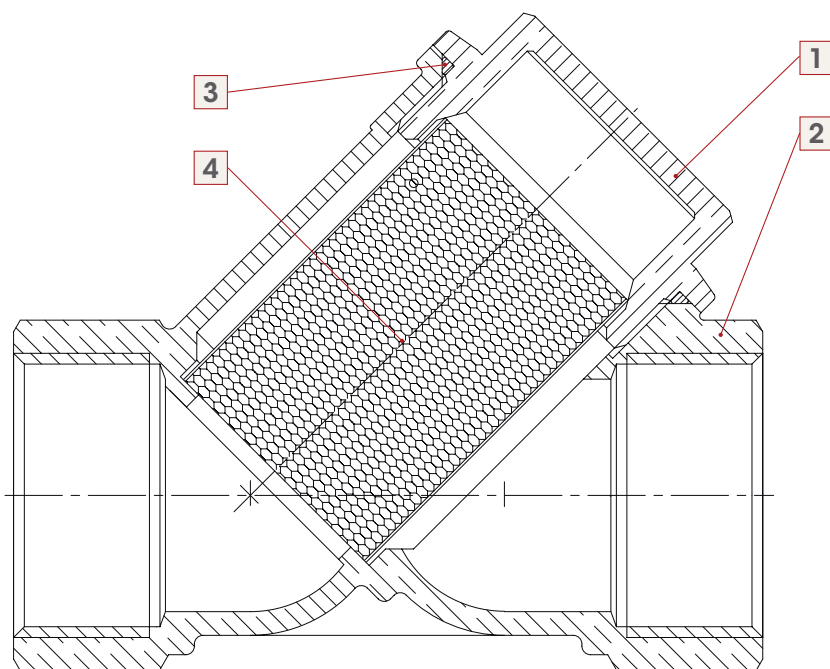
	1/4"	3/8"	1/2"	3/4"	1"	1"1/4	1"1/2	2"	2"1/2	3"	4"
DN	8	10	15	20	25	32	40	50	65	80	100
A	55	55	58	70	87	96	106	126	150	169	219
B	40	40	40	48	56	64	73	88,5	105	120	162
C	49,7	51,2	53,25	64,6	76,35	89,2	102	124,6	150,75	173,25	229
Kg/cm <sup>2</sup> bar	20	20	20	20	20	20	20	20	16	16	16
LBS - psi	290	290	290	290	290	290	290	290	232	232	232

# 192 - 1/4", 2"



Pos.	DESCRIZIONE / DESCRIPTION	Qt.	MATERIALE / MATERIAL
1	Manicotto / End adapter	1	Ottone / Brass CW617N
2	Corpo / Body	1	Ottone / Brass CW617N
3	Guarnizione / O-Ring	1	NBR
4	Filtro / Strainer	1	Acciaio inox / Stainless steel AISI 304

# 192 - 2"1/2, 3", 4"

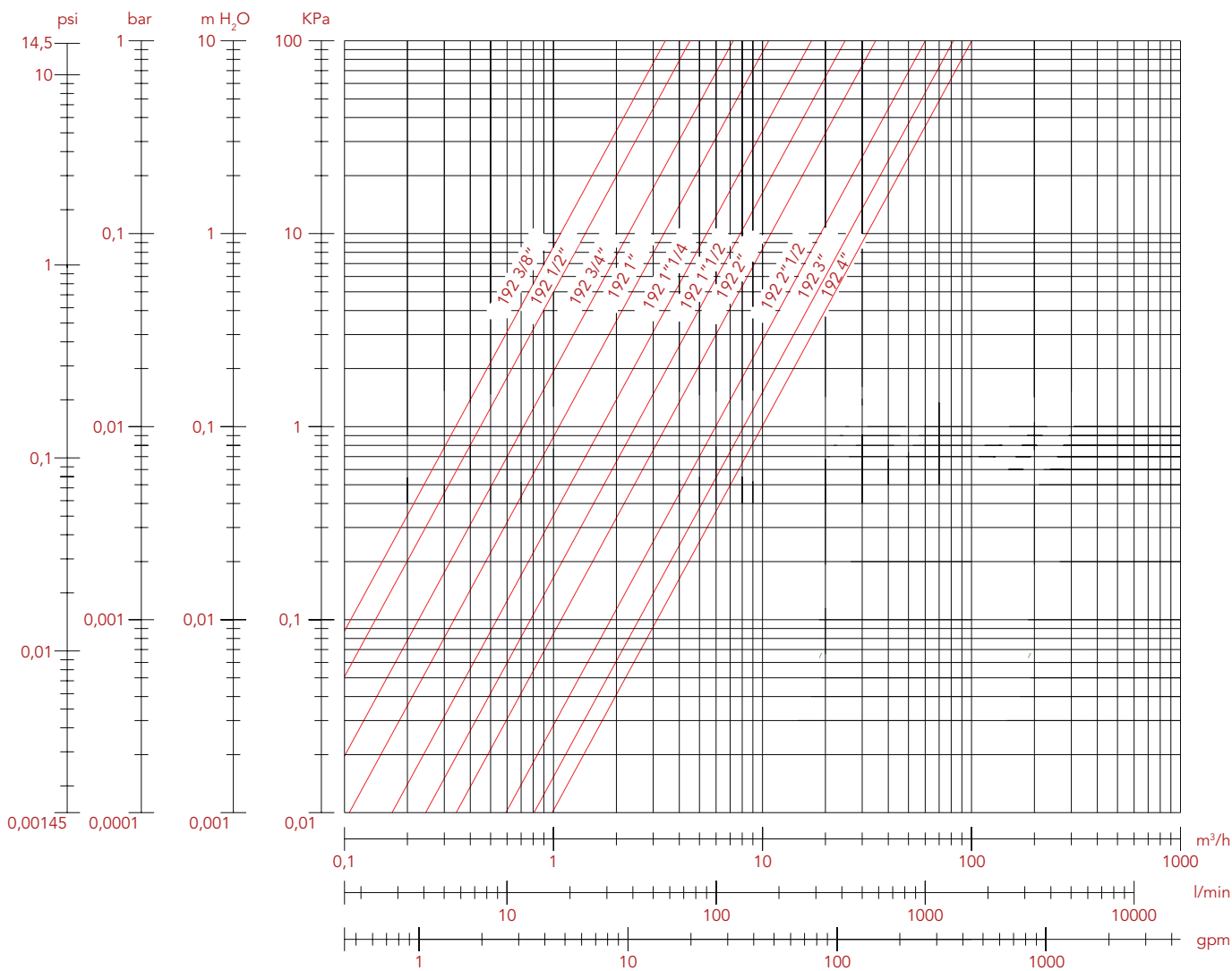


Pos.	DESCRIZIONE / DESCRIPTION	Qt.	MATERIALE / MATERIAL
1	Manicotto / End adapter	1	Ottone / Brass CW617N
2	Corpo / Body	1	Ottone / Brass CB753S
3	Guarnizione / O-Ring	1	NBR
4	Filtro / Strainer	1	Acciaio inox / Stainless steel AISI 304



# LOSS WITH WATER DIAGRAM

Art: 192 - 193



MISURE	3/8"	1/2"	3/4"	1"	1"1/4	1"1/2	2"	2"1/2	3"	4"
Kv	3,43	4,48	7,86	11	16	22	35	60	83	100

Y STRAINERS



# DECLARATION OF CONFORMITY

(According to EN ISO/IEC 17050-1)

The ITAP S.p.A. manufacturer of valves, fittings, manifolds and accessories for thermo-sanitary plants, with head office in via Ruca 19/21 – 25065 Lumezzane S.S. (BS) Italy.

## DECLARES

Under its sole responsibility that the Y strainers have been built according to industry standards and conform to their technical specifications, respecting the Company Quality System complies with UNI EN ISO 9001.

Lumezzane 19 November 2013

Industrial Manager.

  
ITAP S.p.A.  
IL CONSIGLIERE DELEGATO  
EZIO PATTI

DECLARATION OF CONFORMITY