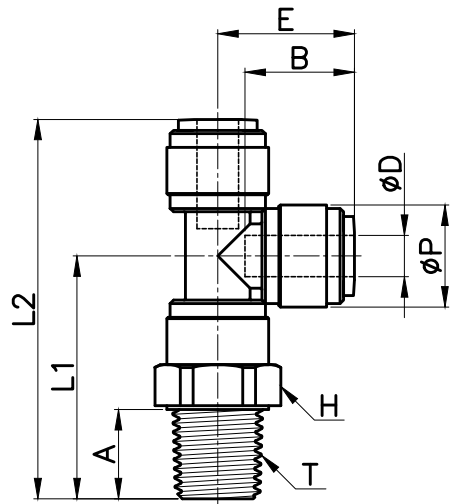


# HRST



MODEL	øD	øP	T(BSPT,R)	A	B (TUBE DEEP)	E	H (Hex)	L1	L2	WEIGHT (g)	EA (box)	
HRST 04R01	04	13.2	1/8	9.1	14.7	17.9	15.0	29.7	47.6	7.8	50	
HRST 04R02			1/4	13.1				17.0	33.7	51.6	9.2	50
HRST 06R01	06	15.0	1/8	9.1	16.1	20.1	17.0	31.7	51.8	9.3	50	
HRST 06R02			1/4	13.1				17.0	35.7	55.8	10.3	25
HRST 08R01	08	17.6	1/8	9.1	17.5	21.9	19.0	33.4	55.3	13.1	25	
HRST 08R02			1/4	13.1				19.0	37.4	59.3	14.0	25
HRST 08R03			3/8	13.5				19.0	37.8	59.7	14.6	25
HRST 10R02	10	20.0	1/4	13.1	20.1	25.8	21.0	41.4	67.2	19.5	25	
HRST 10R03			3/8	13.5				21.0	41.8	67.6	19.6	20
HRST 10R04			1/2	16.5				24.0	44.8	70.6	23.9	20
HRST 12R03	12	23.0	3/8	13.5	24.7	31.7	24.0	48.2	79.9	30.2	15	
HRST 12R04			1/2	16.5				24.0	51.2	82.9	32.7	12