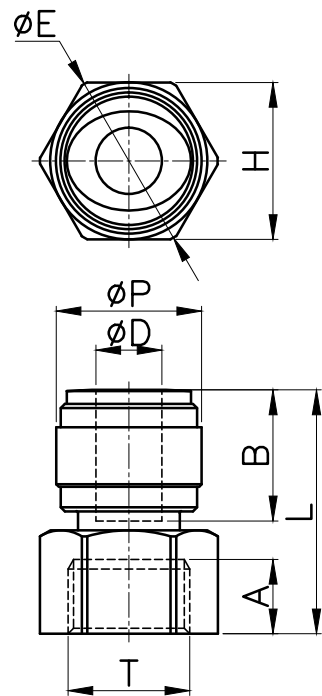


HCF-UNS



MODEL(mm)	ϕD	ϕP	T(UNS)	L	A	B (TUBE DEEP)	H (Hex)	ϕE	WEIGHT (g)	EA (BOX)
HCF 06-UNS7/16	06	17.6	7/16-24	27.1	6.7	16.1	17	19.0	6.1	50
HCF 08-UNS7/16	08	17.6	7/16-24	27.5	6.7	17.5	17	19.0	6.1	50