

0°C ÷ 65°C



ASF-U working pressure:
from 0,025 to 10 Bar
ASF-B working pressure:
from 0 to 10 Bar



Compressed air



Parallel gas BSPP ISO 228
from G1/8" to G1/2"



Manual flow regulation



Body: Aluminium 11S black anodized
Seal: NBR
Handle: Nickel-plated brass
Regulation screw: Nickel-plated brass

SILICONE FREE

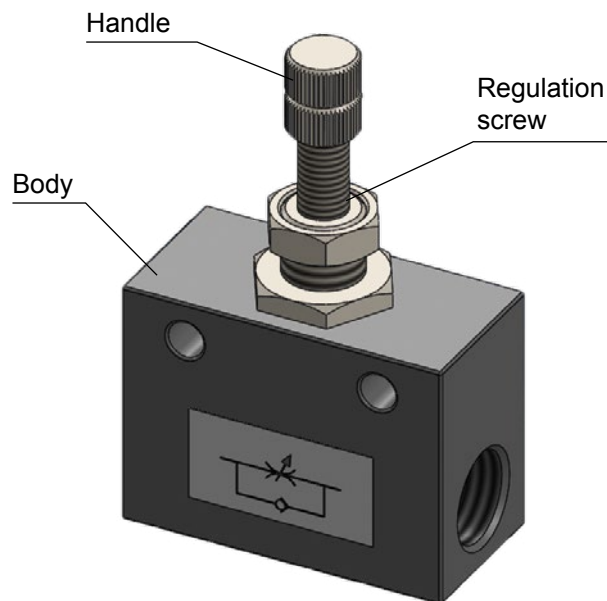


Products in compliance with
EC Regulation 1907/2006

RoHS3

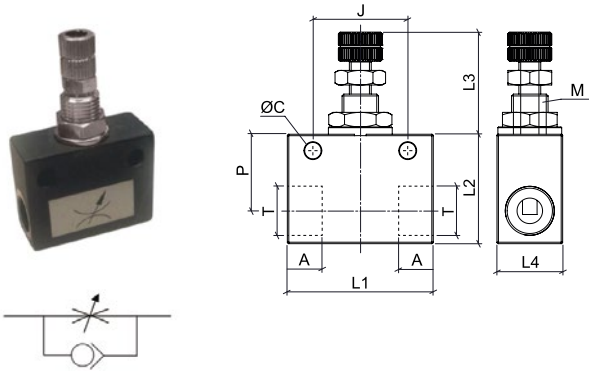
Products in compliance with
the directive EU 2015/863

CONSTRUCTION DETAILS



ASF-U

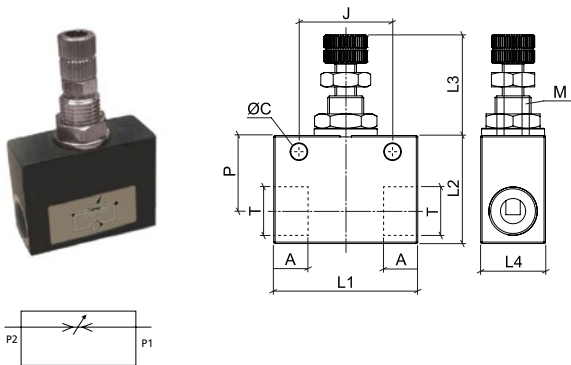
Unidirectional flat flow regulator, bulkhead, female BSPP thread with manual regulation



CODE	T	M	L1	L2	L3 MIN	L3 MAX	L4	A	P	ØC	J	g
ASF-U01N	G 1/8"	10x1	35,0	22,0	24,0	29,0	15,0	8,0	15,0	4,5	24	52,0
ASF-U02N	G 1/4"	10x1	40,0	30,0	26,0	33,0	20,0	9,5	21,0	4,5	24	90,0
ASF-U03N	G 3/8"	15x1	45,0	35,0	34,0	43,0	25,0	10,5	25,0	6,5	30	206,0
ASF-U04N	G 1/2"	15x1	57,0	40,0	34,0	43,0	30,0	12,0	26,0	6,5	30	217,0

ASF-B

Bidirectional flat flow regulator, bulkhead, female BSPP thread, with manual regulation



CODE	T	M	L1	L2	L3 MIN	L3 MAX	L4	A	P	ØC	J	g
ASF-B01N	G 1/8"	10x1	35,0	22,0	24,0	29,0	15,0	8,0	20,0	4,5	24	52,0
ASF-B02N	G 1/4"	10x1	40,0	30,0	26,0	33,0	20,0	9,5	21,0	4,5	24	90,0
ASF-B03N	G 3/8"	15x1	45,0	35,0	34,0	43,0	25,0	10,5	25,0	6,5	30	206,0
ASF-B04N	G 1/2"	15x1	57,0	40,0	34,0	43,0	30,0	12,0	26,0	6,5	30	217,0

