

0°C ÷ 60°C

Working pressure:
10 BarCompressed air
(do not use with water)Metric ISO 262
M3 and M5

Polyamide PA, Polyurethane PU



Manual flow regulation

Body: Nickel-plated brass and PBT

Collet: POM

Collar: Zinc

Lock claw: Stainless steel AISI 301

Back ring: POM

Seal: NBR

O-ring: NBR

Handle: Brass

Lock nut: Brass

Valve: HNBR

Filter/Silencer: PE

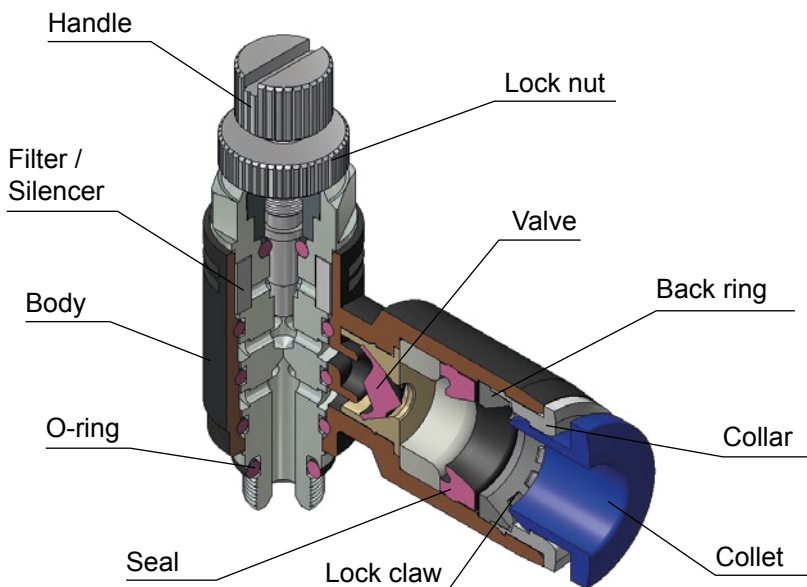
SILICONE FREE

Products in compliance with
EC Regulation 1907/2006

RoHS3

Products in compliance with
the directive EU 2015/863

CONSTRUCTION DETAILS



PLUS

Quick exhaust valve with flow regulator.

High-speed cylinder operation.

Complete with silencer and flow regulator.

Combines three pneumatic functions in one compact body (quick exhaust, flow regulator and silencer).

Flame resistant (UL 94 V-0).

TIGHTENING TORQUE

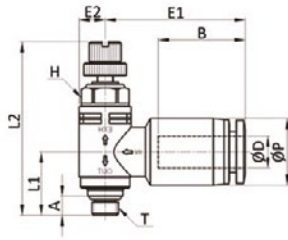
METRIC ISO 262

| THREAD | M3x0,5 | M5x0,8 |
|--------|--------|--------|
| Nm | 1,5 | 1,5 |

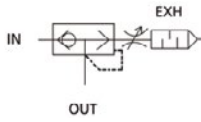


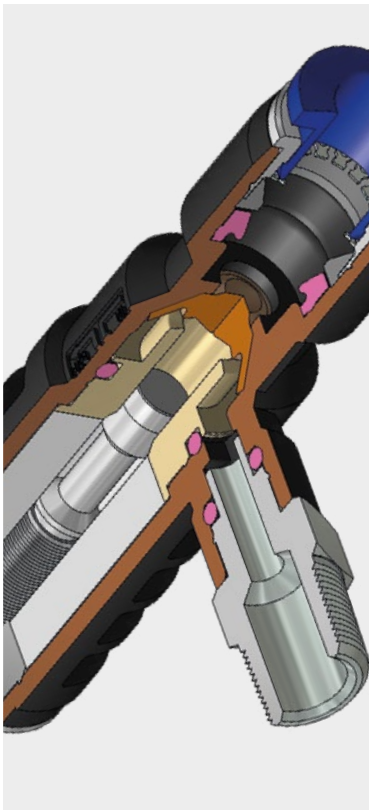
ESC-M


Quick exhaust valve, metric thread, with manual flow regulation





| CODE | ØD | ØP | T | L1 | L2 MIN | L2 MAX | E1 | E2 | A | B | H | g |
|---------|----|------|--------|------|-----------|-----------|------|-----|-----|------|---|------|
| ESC04M3 | 4 | 10,3 | M3x0,5 | 11,9 | 32,2 | 34,7 | 25,8 | 4,9 | 3,0 | 14,8 | 8 | 11,4 |
| ESC04M5 | | 10,3 | M5x0,8 | 11,9 | 32,2 | 34,7 | 25,8 | 4,9 | 3,6 | 14,8 | 8 | 11,3 |
| ESC06M5 | 6 | 12,5 | M5x0,8 | 11,9 | 32,2 | 34,7 | 26,4 | 4,9 | 3,6 | 16,5 | 8 | 12,3 |







-  0°C ÷ 60°C

-  Working pressure:
10 Bar

-  Compressed
(do not use with water)

-  Manual flow regulation

- Taper gas BSPT ISO 7
from R1/8" to R1/2" with teflon
- Parallel gas BSPP ISO 228
from G1/8" to G1/2"

-  Polyamide PA, Polyurethane PU

PLUS

Quick exhaust valve with flow regulator.
High-speed cylinder operation.
Complete with silencer and flow regulator.
Flame resistant (UL 94 V-0).

- Body: Nickel-plated brass and PBT
- Collet: POM
- Collar: Zinc
- Lock claw: Stainless steel AISI 301
- Back ring: POM
- Seal: NBR
- O-ring: NBR
- Handle: Nickel-plated brass
- Locking nut: Nickel-plated brass
- Valve: Polyurethane
- Filter/Silencer: PE



SILICONE FREE

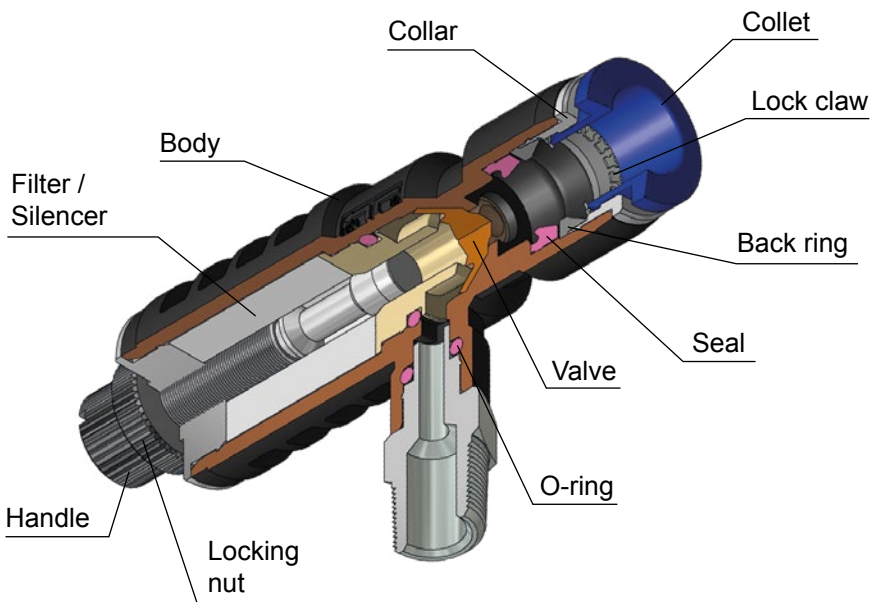


Products in compliance with EC Regulation 1907/2006



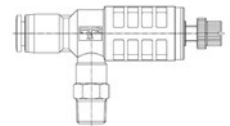
Products in compliance with the directive EU 2015/863

CONSTRUCTION DETAILS

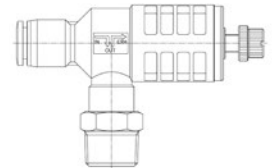


SIZES ESC-R - ESC-G

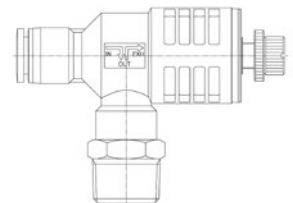
S
small



M
medium



L
large



TIGHTENING TORQUE
TAPER GAS BSPT ISO 7

| THREAD | 1/8" | 1/4" | 3/8" | 1/2" |
|--------|------|------|------|------|
| Nm | 7 | 12 | 22 | 28 |

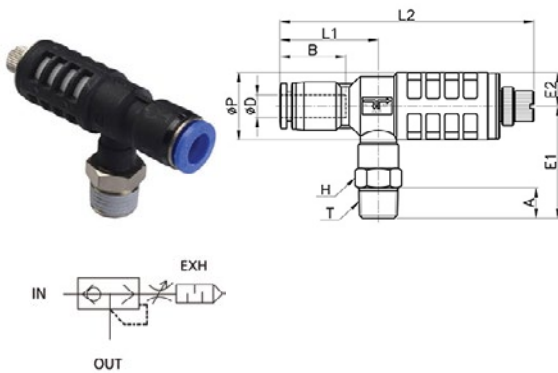
TIGHTENING TORQUE
PARALLEL GAS BSPP ISO 228

| THREAD | 1/8" | 1/4" | 3/8" | 1/2" |
|--------|------|------|------|------|
| Nm | 10 | 15 | 25 | 40 |



ESC-R

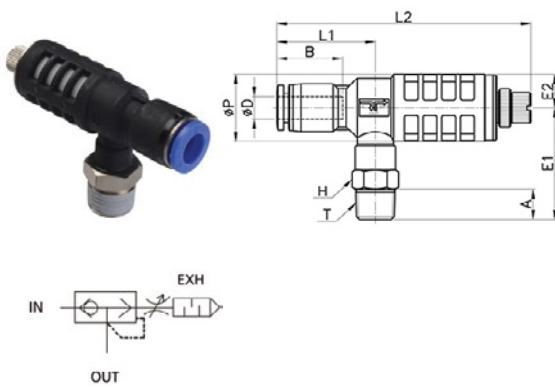
Quick exhaust valve, BSPT thread, with manual flow regulator



| CODE | ØD | ØP | T | L1 | L2 MIN | L2 MAX | E1 | E2 | A | B | H | g |
|------------|----|------|--------|------|-----------|-----------|------|------|------|------|----|------|
| ESC06R01-S | 6 | 12,5 | R 1/8" | 24,5 | 63,3 | 72,0 | 29,3 | 8,8 | 8,0 | 16,5 | 10 | 21,5 |
| ESC06R02-S | | 12,5 | R 1/4" | 24,5 | 63,3 | 72,0 | 31,3 | 8,8 | 10,0 | 16,5 | 14 | 26,3 |
| ESC08R01-S | 8 | 14,8 | R 1/8" | 26,5 | 65,1 | 71,7 | 29,3 | 8,8 | 8,0 | 18,3 | 10 | 22,5 |
| ESC08R02-S | | 14,8 | R 1/4" | 26,5 | 65,1 | 71,7 | 31,3 | 8,8 | 10,0 | 18,3 | 14 | 27,4 |
| ESC08R01-M | 8 | 14,8 | R 1/8" | 29,8 | 73,2 | 82,3 | 34,5 | 12,0 | 8,0 | 18,3 | 14 | 40,0 |
| ESC08R02-M | | 14,8 | R 1/4" | 29,8 | 73,2 | 82,3 | 37,5 | 12,0 | 10,0 | 18,3 | 14 | 42,9 |
| ESC08R03-M | | 14,8 | R 3/8" | 29,8 | 73,2 | 82,3 | 38,5 | 12,0 | 11,0 | 18,3 | 17 | 48,5 |
| ESC10R01-M | 10 | 17,5 | R 1/8" | 31,7 | 75,0 | 84,1 | 34,5 | 12,0 | 8,0 | 20,1 | 14 | 41,7 |
| ESC10R02-M | | 17,5 | R 1/4" | 31,7 | 75,0 | 84,1 | 37,5 | 12,0 | 10,0 | 20,1 | 14 | 44,7 |
| ESC10R03-M | | 17,5 | R 3/8" | 31,7 | 75,0 | 84,1 | 38,5 | 12,0 | 11,0 | 20,1 | 17 | 50,2 |
| ESC10R02-L | | 17,5 | R 1/4" | 34,4 | 80,1 | 88,6 | 42,4 | 15,0 | 10,0 | 20,1 | 19 | 72,5 |
| ESC10R03-L | | 17,5 | R 3/8" | 34,4 | 80,1 | 88,6 | 43,4 | 15,0 | 11,0 | 20,1 | 19 | 76,5 |
| ESC10R04-L | 12 | 17,5 | R 1/2" | 34,4 | 80,1 | 88,6 | 46,4 | 15,0 | 14,0 | 20,1 | 21 | 85,2 |
| ESC12R02-L | | 20,5 | R 1/4" | 37,1 | 83,1 | 91,6 | 42,4 | 15,0 | 10,0 | 23,1 | 19 | 75,2 |
| ESC12R03-L | | 20,5 | R 3/8" | 37,1 | 83,1 | 91,6 | 43,4 | 15,0 | 11,0 | 23,1 | 19 | 79,2 |
| ESC12R04-L | | 20,5 | R 1/2" | 37,1 | 83,1 | 91,6 | 46,4 | 15,0 | 14,0 | 23,1 | 21 | 88,1 |

ESC-G

Quick exhaust valve, BSPP thread, with manual flow regulator



| CODE | ØD | ØP | T | L1 | L2 MIN | L2 MAX | E1 | E2 | A | B | H | g |
|------------|----|------|--------|------|-----------|-----------|------|------|-----|------|----|------|
| ESC06G01-S | 6 | 12,5 | G 1/8" | 24,5 | 63,3 | 72,0 | 26,3 | 8,8 | 5,0 | 16,5 | 14 | 24,5 |
| ESC06G02-S | | 12,5 | G 1/4" | 24,5 | 63,3 | 72,0 | 28,3 | 8,8 | 6,5 | 16,5 | 17 | 28,3 |
| ESC08G01-S | 8 | 14,8 | G 1/8" | 26,5 | 65,1 | 71,7 | 26,3 | 8,8 | 5,0 | 18,3 | 14 | 25,5 |
| ESC08G02-S | | 14,8 | G 1/4" | 26,5 | 65,1 | 71,7 | 28,3 | 8,8 | 6,5 | 18,3 | 17 | 29,4 |
| ESC08G01-M | 8 | 14,8 | G 1/8" | 29,8 | 73,2 | 82,3 | 31,5 | 12,0 | 5,0 | 18,3 | 14 | 38,0 |
| ESC08G02-M | | 14,8 | G 1/4" | 29,8 | 73,2 | 82,3 | 33,5 | 12,0 | 6,5 | 18,3 | 17 | 41,9 |
| ESC08G03-M | | 14,8 | G 3/8" | 29,8 | 73,2 | 82,3 | 33,0 | 12,0 | 6,5 | 18,3 | 20 | 46,5 |
| ESC10G01-M | 10 | 17,5 | G 1/8" | 31,7 | 75,0 | 84,1 | 31,5 | 12,0 | 5,0 | 20,1 | 14 | 39,7 |
| ESC10G02-M | | 17,5 | G 1/4" | 31,7 | 75,0 | 84,1 | 33,5 | 12,0 | 6,5 | 20,1 | 17 | 43,7 |
| ESC10G03-M | | 17,5 | G 3/8" | 31,7 | 75,0 | 84,1 | 33,0 | 12,0 | 6,5 | 20,1 | 20 | 48,2 |
| ESC10G02-L | | 17,5 | G 1/4" | 34,4 | 80,1 | 88,6 | 38,4 | 15,0 | 6,5 | 20,1 | 19 | 68,5 |
| ESC10G03-L | | 17,5 | G 3/8" | 34,4 | 80,1 | 88,6 | 37,9 | 15,0 | 6,5 | 20,1 | 20 | 71,5 |
| ESC10G04-L | 12 | 17,5 | G 1/2" | 34,4 | 80,1 | 88,6 | 39,4 | 15,0 | 8,0 | 20,1 | 24 | 78,2 |
| ESC12G02-L | | 20,5 | G 1/4" | 37,1 | 83,1 | 91,6 | 38,4 | 15,0 | 6,5 | 23,1 | 19 | 71,2 |
| ESC12G03-L | | 20,5 | G 3/8" | 37,1 | 83,1 | 91,6 | 37,9 | 15,0 | 6,5 | 23,1 | 20 | 74,2 |
| ESC12G04-L | | 20,5 | G 1/2" | 37,1 | 83,1 | 91,6 | 39,4 | 15,0 | 8,0 | 23,1 | 24 | 81,1 |

