

-20°C ÷ 150°C



Working pressure:
20 Bar
Negative pressure:
- 0,95 Bar (- 95 kPa)



Compressed air, vacuum,
water and fluids suitable with
the construction materials



- Parallel gas BSPP ISO 228
from G1/8" to G1/2"
- Metric ISO 262
M5 and M7



Polyamide PA, Polyethylene
PE, FEP and PTFE

Body: TEA+ plated brass
Collet: TEA+ plated brass
Collar: PVDF-UHM FDA compliant
Lock claw: Stainless steel AISI 301
Back ring: PVDF-UHM FDA compliant
O-ring: FKM NSF/ANSI 61 certified
and FDA compliant
Retaining ring for swivel system:
Stainless steel AISI 302



NSF/ANSI 169



Food contact materials
EC 1935/2004



ICIM certified product
food contact materials

SILICONE FREE



Products in compliance with
EC Regulation 1907/2006

RoHS3

Products in compliance with
the directive EU 2015/863



HIGHLY CORROSION RESISTANT in strong acidic or alkaline environments:

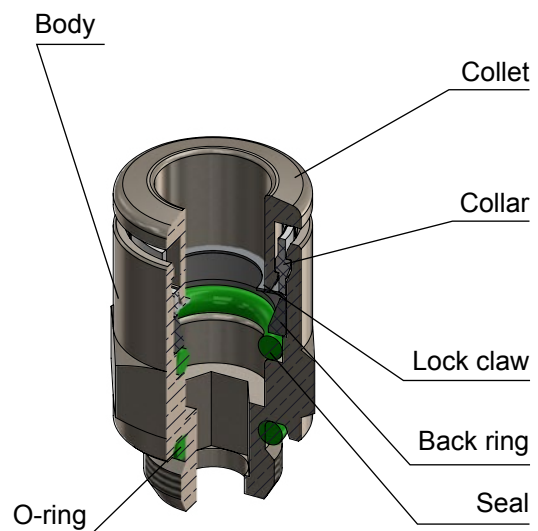
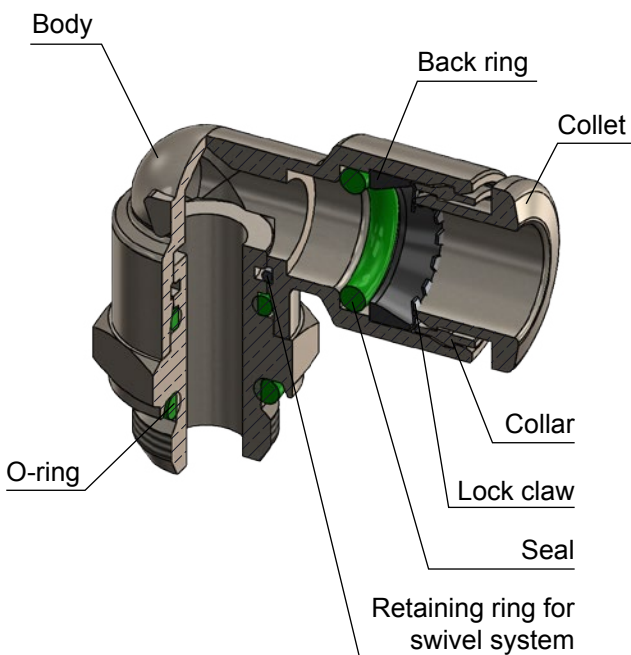
- thicknesses of 2 - 4 µm withstand
- ASS 96h and CASS 48h salt spray tests

EN 16058 rig test (26 weeks)

NSF 61 section 8- pH5 Commercial hot (82°C) for taps, sanitary fittings, HVAC

EN 16889 for professional coffee machines and other "food zone" devices.

CONSTRUCTION DETAILS

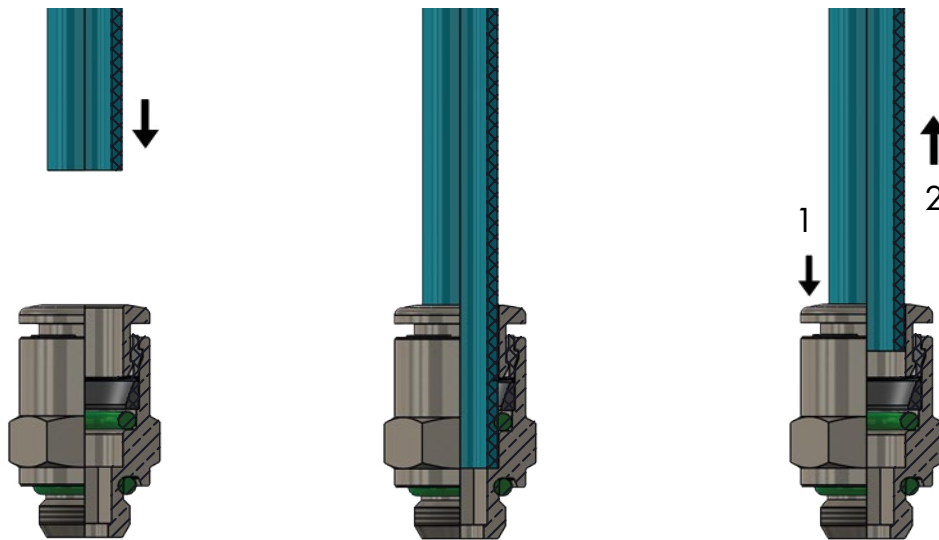


INSERTION OF THE TUBE INTO THE FITTING

- Make sure the tube is fully inserted into the fitting.
- To insert the tube into the fitting cut the tube off square (90°), insert tube up to the fitting end stop, and pull back gently to make sure it is correctly connected.
- If there is any damage or scratches on the tube surface the tube is an oval shape, air leakage and tube release may occur. Check the tube condition carefully.
- The OD of polyurethane tube expands when pressure is applied. Reinsertion into the fitting may not always be possible. Check the OD of the tube and renew it the expansion is out of tolerance.

DISCONNECTION OF THE TUBE FROM THE FITTING

- Make sure the pressure in the system is zero before releasing the tube from the fitting.
- To release the tube, press the release sleeve towards the fitting with one hand (1) and pull the tube away from the fitting with the other hand (2).
- Always remove the section of tube previously inserted into the fitting before reinserting the tube by cutting back the tube. Always use the correct tube cutter in order to cut the tube square and free of damage.



TOLERANCES - METRIC TUBE

Ø TUBE (mm)	4	6	8	10	12
TOLERANCE (mm)	± 0,1	± 0,1	± 0,1	± 0,15	± 0,15

INSERTION DEPTH - METRIC TUBE

Ø TUBE (mm)	4	6	8	10	12
TUBE INSERTION LENGTH (mm)	14	15,5	17,5	19	21

TIGHTENING TORQUE

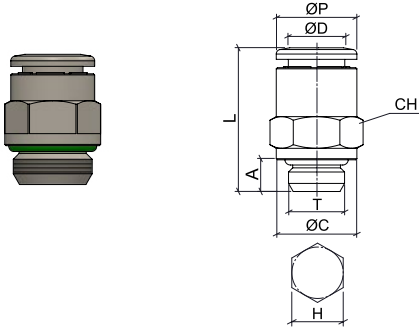
PARALLEL GAS BSPP ISO 228 & METRIC ISO 262

THREAD	M5x0,8	M7x1	1/8"	1/4"	3/8"	1/2"
Nm	1 ± 20%	3 ± 20%	6 ± 20%	7,5 ± 20%	9 ± 20%	9 ± 20%



HFRC-G

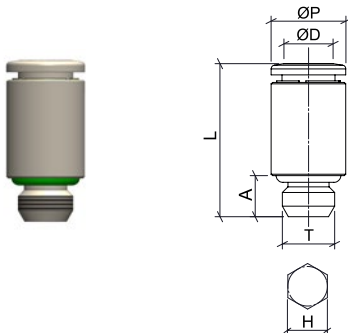
Male connector BSPP & metric thread



CODE	ØD	T	ØP	ØC	A	L	CH	H
HFRC04M5	4	M5x0,8	10	7	4	19,0	9	2,5
HFRC04G01		G 1/8"	10	14	5,5	18,0	10	3
HFRC04G02		G 1/4"	10	16	6,5	18,0	10	3
HFRC06M5	6	M5x0,8	12	7	4	21,0	11	2,5
HFRC06G01		G 1/8"	12	14	5,5	19,5	12	4
HFRC06G02		G 1/4"	12	16	6,5	19,5	12	4
HFRC08G01	8	G 1/8"	14	14	5,5	24,5	14	5
HFRC08G02		G 1/4"	14	16	6,5	21,5	14	6
HFRC08G03		G 3/8"	14	20	7,5	21,5	14	6
HFRC10G02	10	G 1/4"	16	16	6,5	27,5	16	7
HFRC10G03		G 3/8"	16	20	7,5	25,0	16	8
HFRC12G02	12	G 1/4"	19	16	6,5	30,0	19	7
HFRC12G03		G 3/8"	19	22	7,5	29,5	19	10
HFRC12G04		G 1/2"	19	25	9	28,0	19	10

HFROC

Male connector round body metric thread

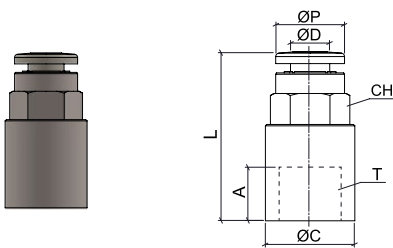


CODE	ØD	T	ØP	A	L	H
HFROC04M7	4	M7x1	10	6	20,5	2,5
* HFROC06M7C	6	M7x1	10	5,5	20,5	4

* compact version

HFRCF-G

Female connector BSPP thread

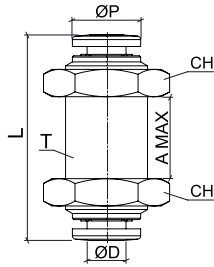
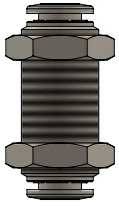


CODE	ØD	T	ØP	ØC	A	L	CH
HFRCF04G01	4	G 1/8"	10	13	7,5	24,5	13
HFRCF04G02		G 1/4"	10	16	11	27,0	10
HFRCF06G01	6	G 1/8"	12	13	7,5	26,0	12
HFRCF06G02		G 1/4"	12	16	11	29,0	12
HFRCF08G01	8	G 1/8"	14	13	7,5	27,0	14
HFRCF08G02		G 1/4"	14	16	11	30,0	14



HFRMM

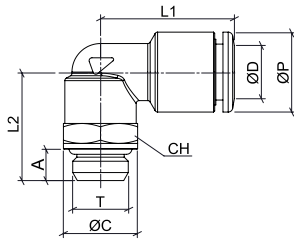
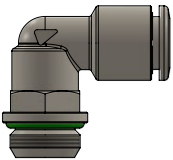
Bulkhead connector



CODE	ØD	T	ØP	L	A MAX	CH
HFRMM04	4	M12x1	10	34,0	15	16
HFRMM06	6	M14x1	12	32,0	12	17
HFRMM08	8	M16x1	14	36,5	16	19
HFRMM10	10	M20x1	16	43,0	19	24
HFRMM12	12	M22x1,5	19	44,0	20	25

HFRL-G

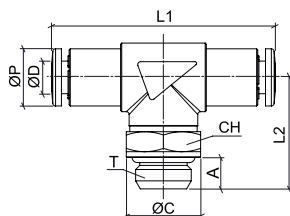
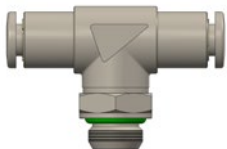
Swivel male elbow BSPP & metric



CODE	ØD	T	ØP	ØC	A	L1	L2	CH
HFRLO4M5	4	M5x0,8	10	7	4	18,0	15,0	8
HFRLO4G01		G 1/8"	10	13	5,5	19,5	19,0	13
HFRLO4G02		G 1/4"	10	16	6,5	19,5	21,5	13
HFRLO6M5	6	M5x0,8	12	7	4	19,5	16,0	8
HFRLO6G01		G 1/8"	12	13	5,5	21,0	19,0	13
HFRLO6G02		G 1/4"	12	16	6,5	21,0	21,5	13
HFRLO8G01	8	G 1/8"	14	13	5,5	23,0	19,0	13
HFRLO8G02		G 1/4"	14	16	6,5	23,0	21,5	13
HFRLO8G03		G 3/8"	14	20	7,5	23,0	23,0	13
HFRLO10G02	10	G 1/4"	16	16	6,5	26,0	23,0	16
HFRLO10G03		G 3/8"	16	20	7,5	26,0	26,0	16
HFRLO12G02	12	G 1/4"	19	16	6,5	31,0	25,5	20
HFRLO12G03		G 3/8"	19	20	7,5	31,0	26,5	20
HFRLO12G04		G 1/2"	19	25	9	31,0	29,0	20

HFRT-G

Swivel male tee BSPP thread

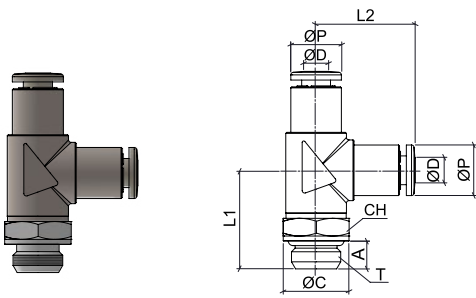


CODE	ØD	T	ØP	A	L1	L2	CH
HFRT04G01	4	G 1/8"	10	5,5	39,0	19,5	13
HFRT06G01	6	G 1/8"	12	5,5	42,0	19,5	13
HFRT06G02		G 1/4"	12	6,5	42,0	22,0	13
HFRT08G01	8	G 1/8"	14	5,5	46,5	19,5	13
HFRT08G02		G 1/4"	14	6,5	46,5	22,0	13



HFRST-G

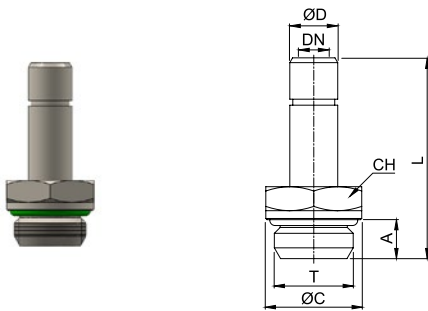
Swivel male lateral tee BSPP thread



CODE	ØD	T	ØP	ØC	A	L1	L2	CH
HFRST04G01	4	G 1/8"	10	13	5,5	19,5	19,5	13

HFRA-G

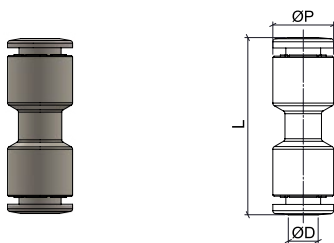
Stem adapter BSPP thread



CODE	ØD	T	ØC	A	L	DN	CH
HFRA04G01	4	G 1/8"	13	5,5	28,0	2,0	13
HFRA06G01	6	G 1/8"	13	5,5	29,0	4,0	13
HFRA06G02		G 1/4"	16	6,5	30,5	4,0	13
HFRA08G01	8	G 1/8"	13	5,5	30,0	6,0	13
HFRA08G02		G 1/4"	16	6,5	32,0	6,0	13
HFRA10G01	10	G 1/8"	13	5,5	35,0	6,0	13
HFRA10G02		G 1/4"	16	6,5	36,5	8,0	13
HFRA12G02	12	G 1/4"	16	6,5	37,5	8,0	13

HFRUC

Union connector

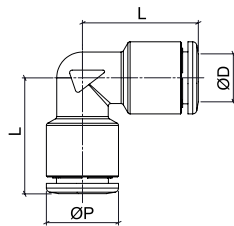
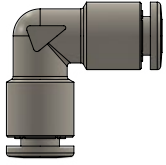


CODE	ØD	ØP	L
HFRUC04	4	10	29,0
HFRUC06	6	12	32,0
HFRUC08	8	14	35,5
HFRUC10	10	16	39,5
HFRUC12	12	19	44,0



HFRUL

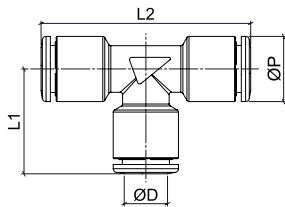
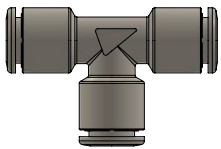
Union elbow



CODE	ØD	ØP	L
HFRUL04	4	10	18,0
HFRUL06	6	12	19,5
HFRUL08	8	14	22,5
HFRUL10	10	16	25,5
HFRUL12	12	19	29,0

HFRUT

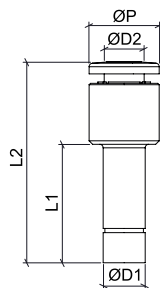
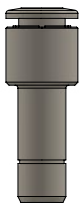
Union tee



CODE	ØD	ØP	L1	L2
HFRUT04	4	10	18,0	36,0
HFRUT06	6	12	19,5	39,0
HFRUT08	8	14	22,5	45,0
HFRUT10	10	16	25,5	51,0
HFRUT12	12	19	29,0	58,0

HFRGJ

Stem reduction



CODE	ØD1	ØD2	ØP	L1	L2
HFRGJ0604	6	4	10	170	28,5
HFRGJ0806	8	6	12	19,5	34,5
HFRGJ1008	10	8	14	24,0	37,5
HFRGJ1210	12	10	16	25,0	40,0

