

-20°C ÷ 120°C



Working pressure:
Up to 10 Bar



Compressed air and fluids
suitable with construction
materials



Parallel gas BSPP ISO 228
from G1/8" to G1/2" with
O-ring



Polyethylene PE, Polyamide
PA, PTFE, FEP



Screwdriver flow regulation



Body: Stainless steel AISI 316

Lock claw: Stainless steel AISI 316

Seal: Viton

O-ring: Viton

SILICONE FREE

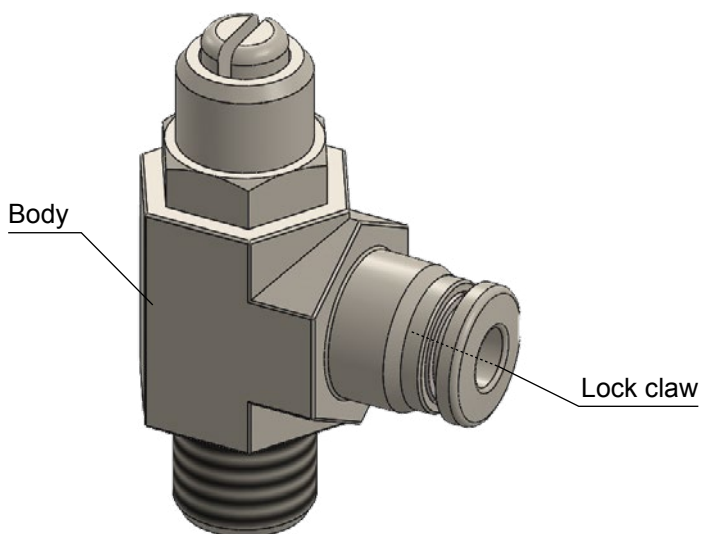


Products in compliance with
EC Regulation 1907/2006

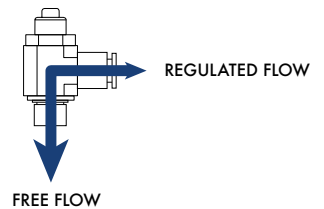
RoHS3

Products in compliance with
the directive EU 2015/863

CONSTRUCTION DETAILS

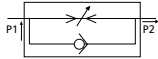
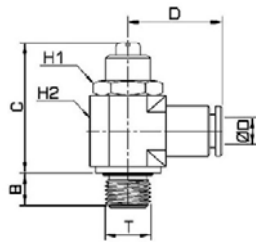


**EXHAUST
(FOR CYLINDERS)**



SXSC-D

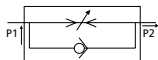
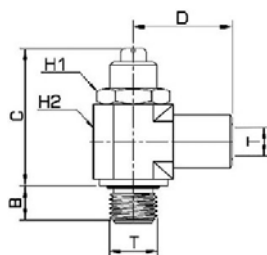
Unidirectional banjo flow regulator, BSPP thread for cylinders, with screwdriver regulation



CODE	ØD	T	B	C	D	E	H1	H2	g
SXSC06G01-D	6	G 1/8"	6	36	24	8	14,3	14,3	44
SXSC06G02-D		G 1/4"	8	42	27	12	17,4	19	84
SXSC08G01-D	8	G 1/8"	6	36	24	8	14,3	16	46
SXSC08G02-D		G 1/4"	8	42	27	12	17,4	19	80
SXSC10G02-D	10	G 1/4"	8	42	27	12	17,4	19	83

SXSC-DF

Unidirectional banjo flow regulator, M/F BSPP thread for cylinders, with screwdriver regulation



CODE	T	B	C	D	E	H1	H2	g
SXSC01-DF	G 1/8"	6	36	20	8	14,3	14,3	42
SXSC02-DF	G 1/4"	8	42	25	12	17,4	19	87
SXSC03-DF	G 3/8"	8	49	28	12	20,6	22	141
SXSC04-DF	G 1/2"	10	60	31	15	24,0	27	213

