

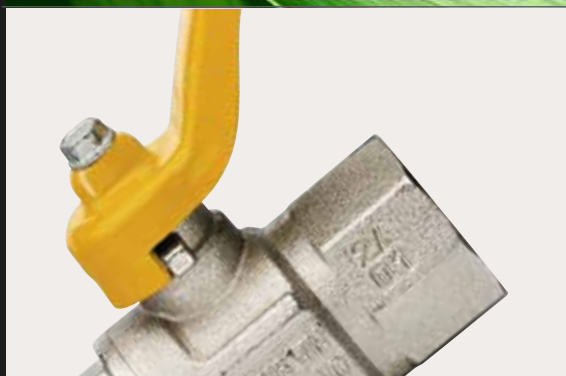
TECHNICAL CATALOGUE

GAS BALL VALVES:
LONDON®





ITAP SpA, founded in Lumezzane (Brescia) in 1972, is currently one of the leading production companies in Italy of valves, fittings and distribution manifolds for plumbing and heating systems. Thanks to fully automated production processes, with 63 tooling machines and 25 assembly lines, we are able to produce 150,000 pieces per day. Our innate pursuit for innovation and observance of technical regulations in force is supported by the company certification ISO 9001: 2008. The company has always considered its focus on quality as the main tool to obtaining significant business results: today ITAP SpA is proud to offer products bearing the approval of numerous international certifying bodies.



FULL FLOW GAS BALL VALVES: LONDON®





FULL FLOW GAS
BALL VALVES:
LONDON[®]

EN 331 APPROVED.

GAS BALL VALVES

066

LONDON®
BALL VALVE,
FULL FLOW



| SIZE | PRESSURE | CODE | PACKING |
|---------------|--------------|---------|---------|
| 1/4" (DN 8) | 5bar/72,5psi | 066B014 | 12/192 |
| 3/8" (DN 10) | 5bar/72,5psi | 066B038 | 12/192 |
| 1/2" (DN 15) | 5bar/72,5psi | 066B012 | 10/100 |
| 3/4" (DN 20) | 5bar/72,5psi | 066B034 | 8/64 |
| 1" (DN 25) | 5bar/72,5psi | 066B100 | 6/48 |
| 1"1/4 (DN 32) | 5bar/72,5psi | 066B114 | 4/32 |
| 1"1/2 (DN 40) | 5bar/72,5psi | 066B112 | 2/16 |
| 2" (DN 50) | 5bar/72,5psi | 066B200 | 2/14 |

TECHNICAL SPECIFICATIONS

EN 331 APPROVED.

Female/female threads.

Body in nickel-plated brass.

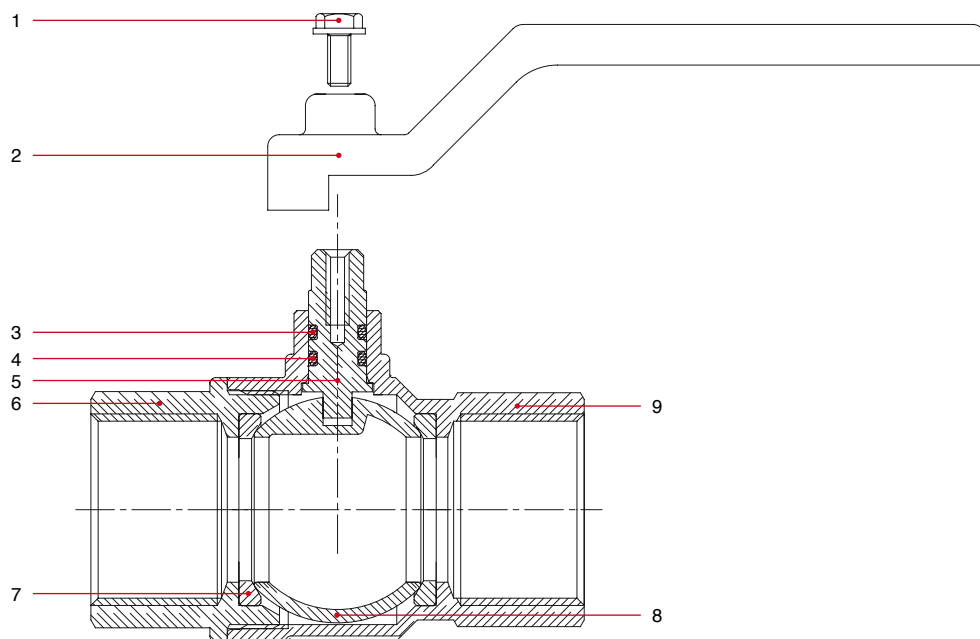
Lever handle in steel.

Minimum and maximum working temperatures: -20°C, 60°C.

Female thread ISO 7/1 Rp parallel

(equivalent to DIN EN 10226-1 and BS EN 10226-1).

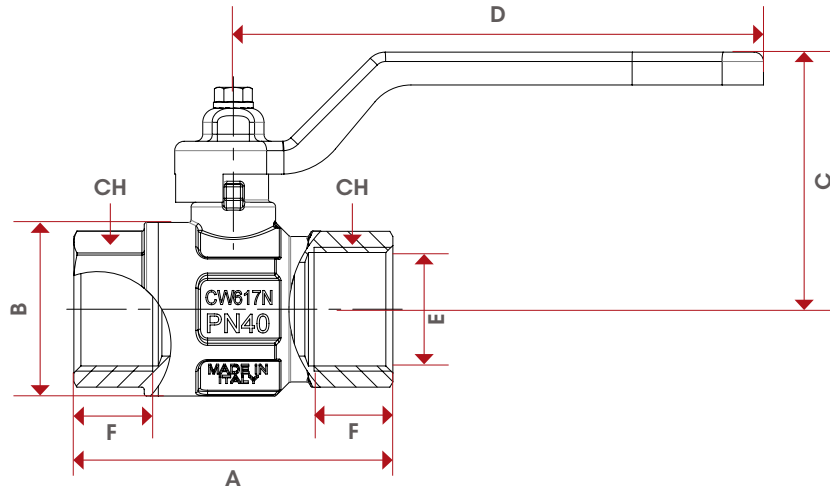
MATERIALS



| POS. | DESCRIPTION | N. | MATERIAL |
|------|--------------|----|--|
| 1 | Screw | 1 | Zinc-plated steel Fe CB4 |
| 2 | Lever handle | 1 | Zinc-plated and varnished steel Fe.P04 |
| 3 | O-Ring | 1 | VITON® |
| 4 | O-Ring | 1 | NBR |
| 5 | Stem | 1 | Brass CW614N |
| 6 | End adapter | 1 | Nickel-plated brass CW617N |
| 7 | Seat | 2 | P.T.F.E. |
| 8 | Ball | 1 | Chrome-plated brass CW617N |
| 9 | Body | 1 | Nickel-plated brass CW617N |



OVERALL DIMENSIONS



| | 1/4" | 3/8" | 1/2" | 3/4" | 1" | 1"1/4 | 1"1/2 | 2" |
|------------------------|------|------|------|------|------|-------|-------|-------|
| DN | 8 | 10 | 15 | 20 | 25 | 32 | 40 | 50 |
| A | 49,5 | 52,4 | 61 | 68 | 85 | 99,5 | 109 | 130 |
| B | 23,5 | 24 | 30,5 | 37 | 45,5 | 58 | 71 | 85 |
| C | 37,3 | 37,3 | 48,8 | 54,8 | 56,8 | 75 | 90,3 | 97,3 |
| D | 80 | 80 | 88,5 | 113 | 113 | 138 | 157,8 | 157,8 |
| E | 10 | 10 | 15 | 20 | 25 | 32 | 40 | 50 |
| F | 11 | 11,4 | 15 | 16,3 | 19,1 | 21,4 | 21,4 | 25,7 |
| CH | 18 | 21 | 25 | 31 | 38 | 47 | 54 | 66 |
| Kg/cm ² bar | 5 | 5 | 5 | 5 | 5 | 5 | 5 | 5 |
| LBS - psi | 72,5 | 72,5 | 72,5 | 72,5 | 72,5 | 72,5 | 72,5 | 72,5 |

CERTIFICATIONS



067

LONDON®
BALL VALVE,
FULL FLOW



| SIZE | PRESSURE | CODE | PACKING |
|---------------|--------------|---------|---------|
| 1/4" (DN 8) | 5bar/72,5psi | 067B014 | 12/192 |
| 3/8" (DN 10) | 5bar/72,5psi | 067B038 | 12/132 |
| 1/2" (DN 15) | 5bar/72,5psi | 067B012 | 10/100 |
| 3/4" (DN 20) | 5bar/72,5psi | 067B034 | 8/64 |
| 1" (DN 25) | 5bar/72,5psi | 067B100 | 6/48 |
| 1"1/4 (DN 32) | 5bar/72,5psi | 067B114 | 4/24 |
| 1"1/2 (DN 40) | 5bar/72,5psi | 067B112 | 2/16 |
| 2" (DN 50) | 5bar/72,5psi | 067B200 | 2/14 |

TECHNICAL SPECIFICATIONS

EN 331 APPROVED.

Male/female threads.

Body in nickel-plated brass.

Lever handle in steel.

Minimum and maximum working temperatures: -20°C, 60°C.

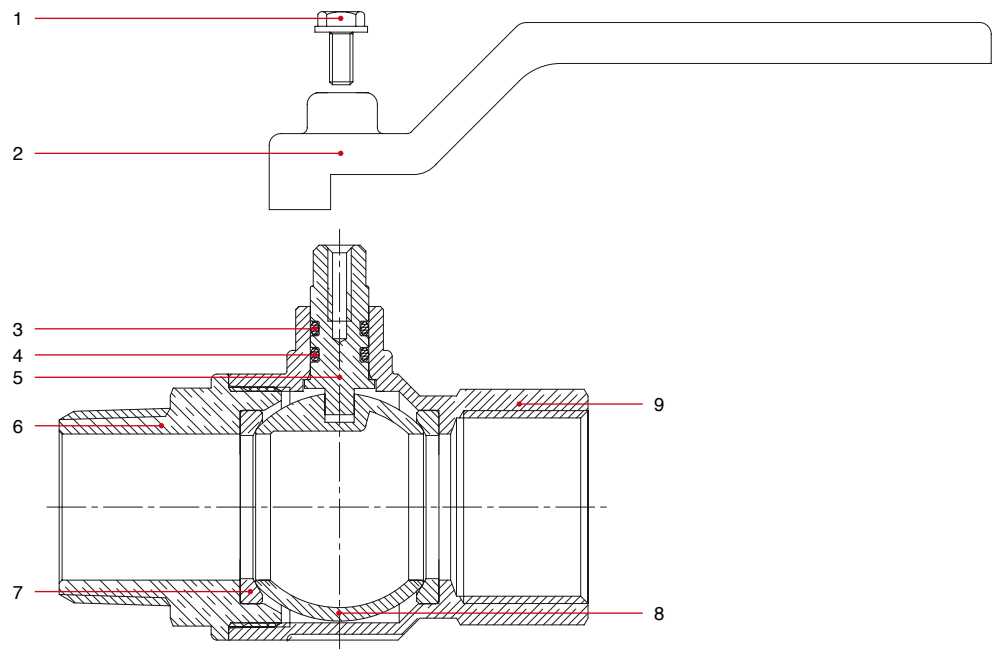
Female thread ISO 7/1 Rp parallel

(equivalent to DIN EN 10226-1 and BS EN 10226-1).

Male thread ISO 7/1 R taper

(equivalent to DIN EN 10226-1 and BS EN 10226-1).

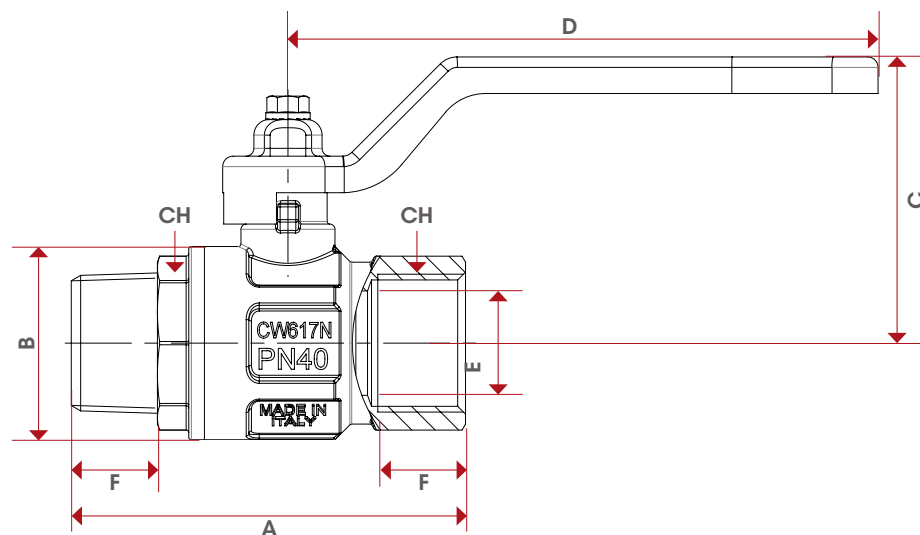
MATERIALS



| POS. | DESCRIPTION | N. | MATERIAL |
|------|--------------|----|--|
| 1 | Screw | 1 | Zinc-plated steel Fe CB4 |
| 2 | Lever handle | 1 | Zinc-plated and varnished steel Fe.P04 |
| 3 | O-Ring | 1 | VITON® |
| 4 | O-Ring | 1 | NBR |
| 5 | Stem | 1 | Brass CW614N |
| 6 | End adapter | 1 | Nickel-plated brass CW617N |
| 7 | Seat | 2 | P.T.F.E. |
| 8 | Ball | 1 | Chrome-plated brass CW617N |
| 9 | Body | 1 | Nickel-plated brass CW617N |



OVERALL DIMENSIONS



| | 1/4" | 3/8" | 1/2" | 3/4" | 1" | 1 1/4" | 1 1/2" | 2" |
|------------------------|------|------|------|------|------|--------|--------|-------|
| DN | 8 | 10 | 15 | 20 | 25 | 32 | 40 | 50 |
| A | 56,9 | 58,9 | 68 | 75,5 | 90,5 | 105 | 115,5 | 135,5 |
| B | 23,5 | 24 | 30,5 | 37 | 45,5 | 58 | 71 | 85 |
| C | 37,3 | 37,3 | 48,8 | 54,8 | 56,8 | 75 | 90,3 | 97,3 |
| D | 80 | 80 | 88,5 | 113 | 113 | 138 | 157,8 | 157,8 |
| E | 8 | 10 | 15 | 20 | 25 | 32 | 39 | 50 |
| F | 11 | 11,4 | 15 | 16,3 | 19,1 | 21,4 | 21,4 | 25,7 |
| CH | 18 | 21 | 25 | 31 | 38 | 47 | 54 | 66 |
| Kg/cm ² bar | 5 | 5 | 5 | 5 | 5 | 5 | 5 | 5 |
| LBS - psi | 72,5 | 72,5 | 72,5 | 72,5 | 72,5 | 72,5 | 72,5 | 72,5 |

CERTIFICATIONS



068

LONDON®
BALL VALVE,
FULL FLOW



| SIZE | PRESSURE | CODE | PACKING |
|--------------|--------------|---------|---------|
| 1/4" (DN 8) | 5bar/72,5psi | 068B014 | 15/165 |
| 3/8" (DN 10) | 5bar/72,5psi | 068B038 | 15/165 |
| 1/2" (DN 15) | 5bar/72,5psi | 068B012 | 10/110 |
| 3/4" (DN 20) | 5bar/72,5psi | 068B034 | 8/64 |
| 1" (DN 25) | 5bar/72,5psi | 068B100 | 6/48 |

TECHNICAL SPECIFICATIONS

EN 331 APPROVED.

Female/female threads.

Body in nickel-plated brass.

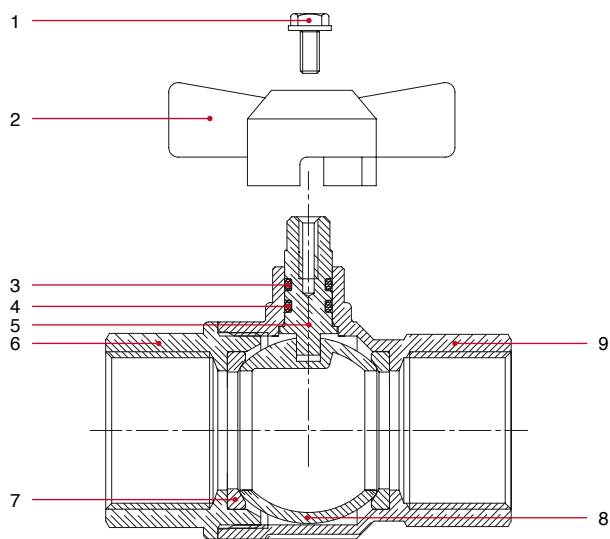
T handle in aluminium.

Minimum and maximum working temperatures: -20°C, 60°C.

Female thread ISO 7/1 Rp parallel

(equivalent to DIN EN 10226-1 and BS EN 10226-1).

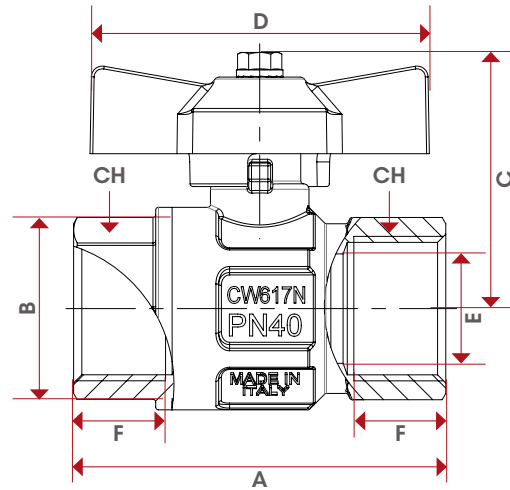
MATERIALS



| POS. | DESCRIPTION | N. | MATERIAL |
|------|-------------|----|----------------------------|
| 1 | Screw | 1 | Zinc-plated steel Fe CB4 |
| 2 | T handle | 1 | Aluminium |
| 3 | O-Ring | 1 | VITON® |
| 4 | O-Ring | 1 | NBR |
| 5 | Stem | 1 | Brass CW614N |
| 6 | End adapter | 1 | Nickel-plated brass CW617N |
| 7 | Seat | 2 | P.T.F.E. |
| 8 | Ball | 1 | Chrome-plated brass CW617N |
| 9 | Body | 1 | Nickel-plated brass CW617N |



OVERALL DIMENSIONS



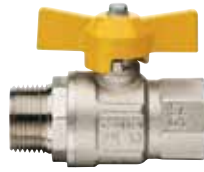
| | 1/4" | 3/8" | 1/2" | 3/4" | 1" |
|------------------------|------|------|------|------|------|
| DN | 8 | 10 | 15 | 20 | 25 |
| A | 49,5 | 52,4 | 61 | 68 | 85 |
| B | 23,5 | 24 | 30,5 | 37 | 45,5 |
| C | 37,3 | 37,3 | 48,8 | 54,8 | 56,8 |
| D | 47 | 47 | 54 | 62 | 62 |
| E | 10 | 10 | 15 | 20 | 25 |
| F | 11 | 11,4 | 15 | 16,3 | 19,1 |
| CH | 18 | 21 | 25 | 31 | 38 |
| Kg/cm ² bar | 5 | 5 | 5 | 5 | 5 |
| LBS - psi | 72,5 | 72,5 | 72,5 | 72,5 | 72,5 |

CERTIFICATIONS



069

LONDON®
BALL VALVE,
FULL FLOW



| SIZE | PRESSURE | CODE | PACKING |
|--------------|--------------|---------|---------|
| 1/4" (DN 8) | 5bar/72,5psi | 069B014 | 15/165 |
| 3/8" (DN 10) | 5bar/72,5psi | 069B038 | 15/165 |
| 1/2" (DN 15) | 5bar/72,5psi | 069B012 | 10/130 |
| 3/4" (DN 20) | 5bar/72,5psi | 069B034 | 8/64 |
| 1" (DN 25) | 5bar/72,5psi | 069B100 | 6/48 |

TECHNICAL SPECIFICATIONS

EN 331 APPROVED.

Male/female threads.

Body in nickel-plated brass.

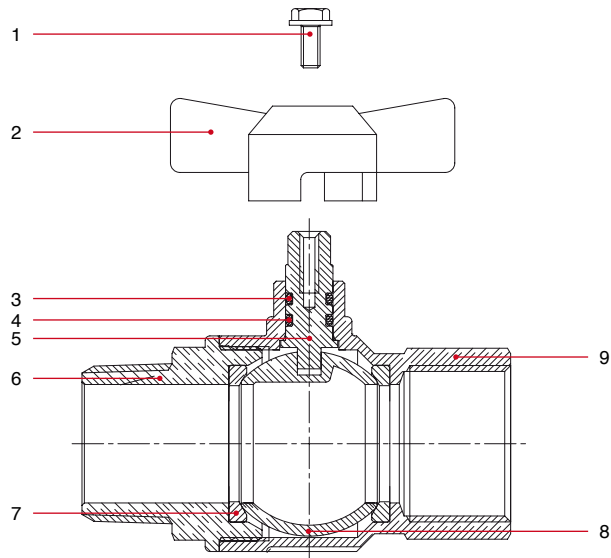
T handle in aluminium.

Minimum and maximum working temperatures: -20°C, 60°C.

Female thread ISO 7/1 Rp parallel
(equivalent to DIN EN 10226-1 and BS EN 10226-1).

Male thread ISO 7/1 R taper
(equivalent to DIN EN 10226-1 and BS EN 10226-1).

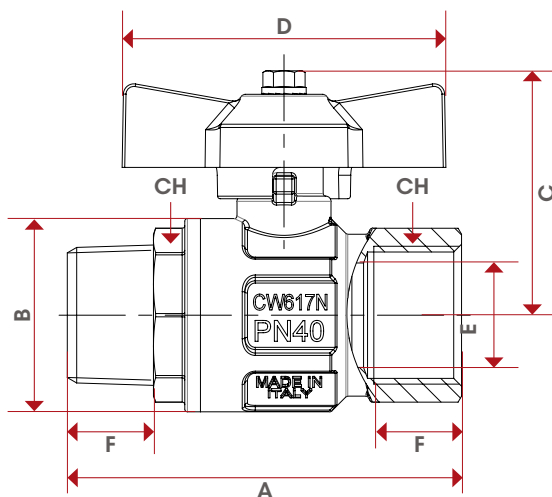
MATERIALS



| POS. | DESCRIPTION | N. | MATERIAL |
|------|-------------|----|----------------------------|
| 1 | Screw | 1 | Zinc-plated steel Fe CB4 |
| 2 | T handle | 1 | Aluminium |
| 3 | O-Ring | 1 | VITON® |
| 4 | O-Ring | 1 | NBR |
| 5 | Stem | 1 | Brass CW614N |
| 6 | End adapter | 1 | Nickel-plated brass CW617N |
| 7 | Seat | 2 | P.T.F.E. |
| 8 | Ball | 1 | Chrome-plated brass CW617N |
| 9 | Body | 1 | Nickel-plated brass CW617N |



OVERALL DIMENSIONS



| | 1/4" | 3/8" | 1/2" | 3/4" | 1" |
|------------------------|------|------|------|------|------|
| DN | 8 | 10 | 15 | 20 | 25 |
| A | 56,9 | 58,9 | 68 | 75,5 | 90,5 |
| B | 23,5 | 24 | 30,5 | 37 | 45,5 |
| C | 37,3 | 37,3 | 48,8 | 46,8 | 50,8 |
| D | 47 | 47 | 54 | 62 | 62 |
| E | 8 | 10 | 15 | 20 | 25 |
| F | 11 | 11,4 | 15 | 16,3 | 19,1 |
| CH | 18 | 21 | 25 | 31 | 38 |
| Kg/cm ² bar | 5 | 5 | 5 | 5 | 5 |
| LBS - psi | 72,5 | 72,5 | 72,5 | 72,5 | 72,5 |

CERTIFICATIONS



266

LONDON®
BALL VALVE,
FULL FLOW



| SIZE | PRESSURE | CODE | PACKING |
|---------------|--------------|---------|---------|
| 1/4" (DN 8) | 5bar/72,5psi | 266B014 | 12/156 |
| 3/8" (DN 10) | 5bar/72,5psi | 266B038 | 12/156 |
| 1/2" (DN 15) | 5bar/72,5psi | 266B012 | 10/80 |
| 3/4" (DN 20) | 5bar/72,5psi | 266B034 | 8/64 |
| 1" (DN 25) | 5bar/72,5psi | 266B100 | 6/48 |
| 1"1/4 (DN 32) | 5bar/72,5psi | 266B114 | 4/24 |
| 1"1/2 (DN 40) | 5bar/72,5psi | 266B112 | 2/18 |
| 2" (DN 50) | 5bar/72,5psi | 266B200 | 2/14 |

TECHNICAL SPECIFICATIONS

EN 331 APPROVED.

Female/female threads.

Body in nickel-plated brass.

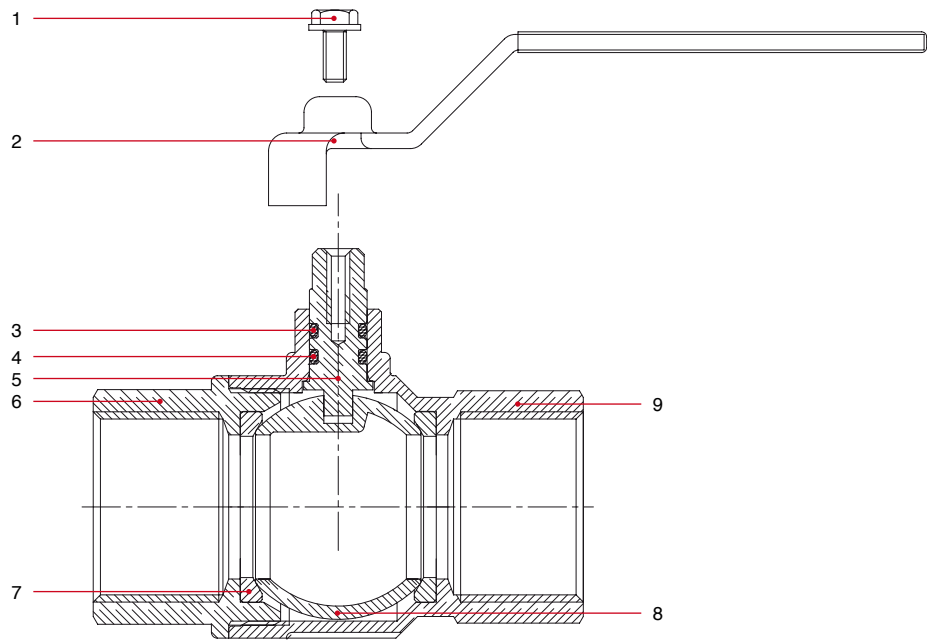
Flat lever handle in lined steel.

Minimum and maximum working temperatures: -20°C, 60°C.

Female thread ISO 7/1 Rp parallel

(equivalent to DIN EN 10226-1 and BS EN 10226-1).

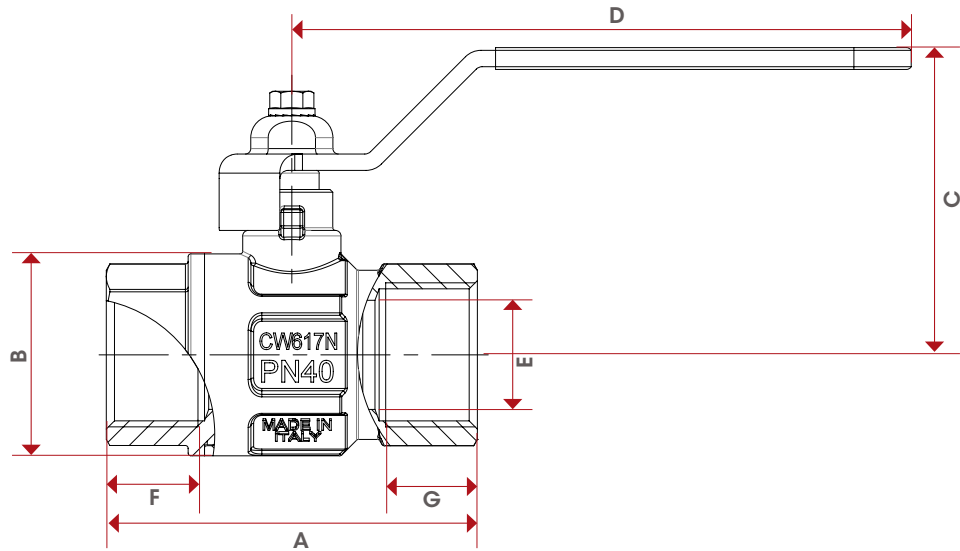
MATERIALS



| POS. | DESCRIPTION | N. | MATERIAL |
|------|-------------------|----|----------------------------|
| 1 | Screw | 1 | Zinc-plated steel Fe CB4 |
| 2 | Flat lever handle | 1 | Zinc-plated steel Fe.P04 |
| 3 | O-Ring | 1 | VITON® |
| 4 | O-Ring | 1 | NBR |
| 5 | Stem | 1 | Brass CW614N |
| 6 | End adapter | 1 | Nickel-plated brass CW617N |
| 7 | Seat | 2 | P.T.F.E. |
| 8 | Ball | 1 | Chrome-plated brass CW617N |
| 9 | Body | 1 | Nickel-plated brass CW617N |



OVERALL DIMENSIONS



| | 1/4" | 3/8" | 1/2" | 3/4" | 1" | 1 1/4" | 1 1/2" | 2" |
|------------------------|------|------|------|-------|-------|--------|--------|------|
| DN | 8 | 10 | 15 | 20 | 25 | 32 | 40 | 50 |
| A | 49,5 | 52,4 | 61 | 68 | 85 | 99,5 | 109 | 130 |
| B | 23,5 | 24 | 30,5 | 37 | 45,5 | 58 | 71 | 85 |
| C | 41,8 | 41,8 | 50,3 | 56,3 | 60,3 | 76,3 | 91,8 | 98,8 |
| D | 85,5 | 85,5 | 92,5 | 113,5 | 113,5 | 138 | 158 | 158 |
| E | 10 | 10 | 15 | 20 | 25 | 32 | 40 | 50 |
| F | 11 | 11,4 | 15 | 16,3 | 19,1 | 21,4 | 21,4 | 25,7 |
| CH | 18 | 21 | 25 | 31 | 38 | 47 | 54 | 66 |
| Kg/cm ² bar | 5 | 5 | 5 | 5 | 5 | 5 | 5 | 5 |
| LBS - psi | 72,5 | 72,5 | 72,5 | 72,5 | 72,5 | 72,5 | 72,5 | 72,5 |

CERTIFICATIONS



267

LONDON®
BALL VALVE,
FULL FLOW



| SIZE | PRESSURE | CODE | PACKING |
|---------------|--------------|---------|---------|
| 1/4" (DN 8) | 5bar/72,5psi | 267B014 | 12/156 |
| 3/8" (DN 10) | 5bar/72,5psi | 267B038 | 12/156 |
| 1/2" (DN 15) | 5bar/72,5psi | 267B012 | 10/80 |
| 3/4" (DN 20) | 5bar/72,5psi | 267B034 | 8/64 |
| 1" (DN 25) | 5bar/72,5psi | 267B100 | 6/48 |
| 1"1/4 (DN 32) | 5bar/72,5psi | 267B114 | 4/24 |
| 1"1/2 (DN 40) | 5bar/72,5psi | 267B112 | 2/18 |
| 2" (DN 50) | 5bar/72,5psi | 267B200 | 2/14 |

TECHNICAL SPECIFICATIONS

EN 331 APPROVED.

Male/female threads.

Body in nickel-plated brass.

Flat lever handle in lined steel.

Minimum and maximum working temperatures: -20°C, 60°C.

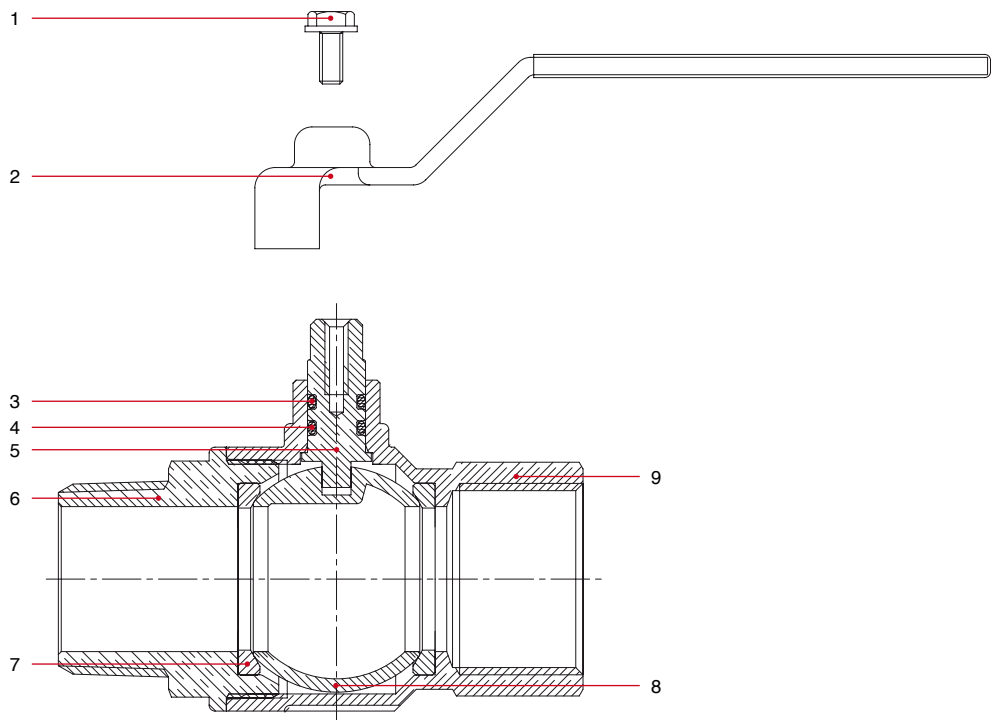
Female thread ISO 7/1 Rp parallel

(equivalent to DIN EN 10226-1 and BS EN 10226-1).

Male thread ISO 7/1 R taper

(equivalent to DIN EN 10226-1 and BS EN 10226-1).

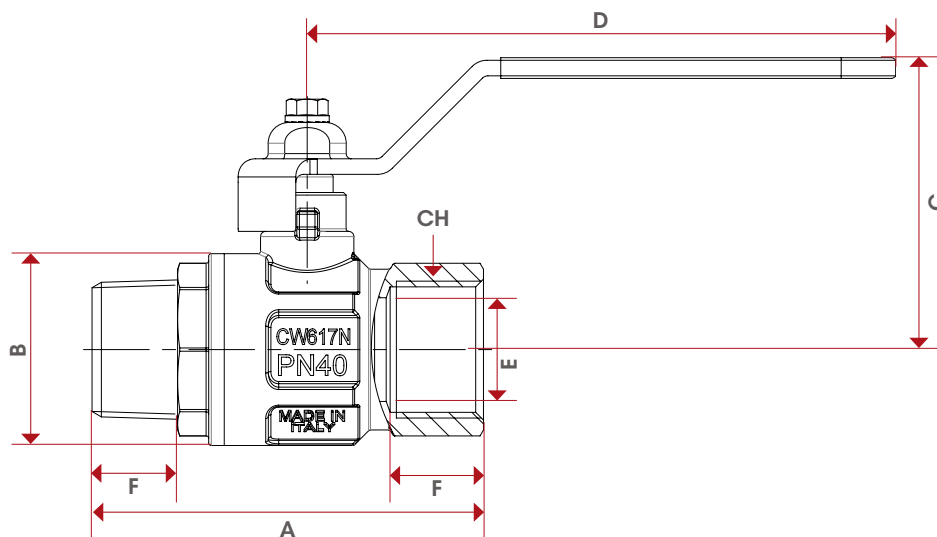
MATERIALS



| POS. | DESCRIPTION | N. | MATERIAL |
|------|-------------------|----|----------------------------|
| 1 | Screw | 1 | Zinc-plated steel Fe CB4 |
| 2 | Flat lever handle | 1 | Zinc-plated steel Fe.P04 |
| 3 | O-Ring | 1 | VITON® |
| 4 | O-Ring | 1 | NBR |
| 5 | Stem | 1 | Brass CW614N |
| 6 | End adapter | 1 | Nickel-plated brass CW617N |
| 7 | Seat | 2 | P.T.F.E. |
| 8 | Ball | 1 | Chrome-plated brass CW617N |
| 9 | Body | 1 | Nickel-plated brass CW617N |



OVERALL DIMENSIONS



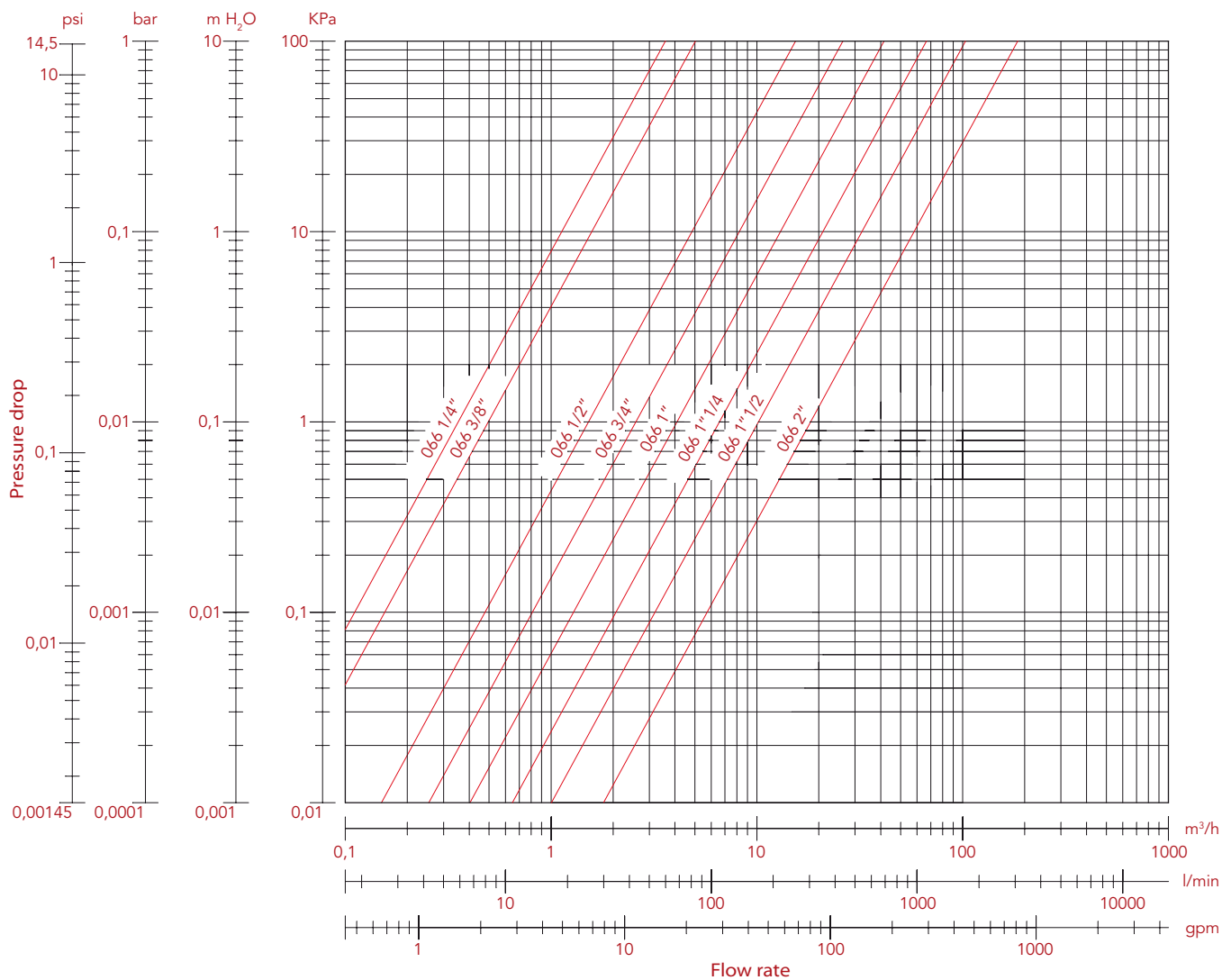
| | 1/4" | 3/8" | 1/2" | 3/4" | 1" | 1 1/4" | 1 1/2" | 2" |
|------------------------|------|------|------|-------|-------|--------|--------|-------|
| DN | 8 | 10 | 15 | 20 | 25 | 32 | 40 | 50 |
| A | 56,9 | 58,9 | 68 | 75,5 | 90,5 | 105 | 115,5 | 135,5 |
| B | 23,5 | 24 | 30,5 | 37 | 45,5 | 58 | 71 | 85 |
| C | 41,8 | 41,8 | 50,3 | 56,3 | 60,3 | 76,3 | 91,8 | 98,8 |
| D | 85,5 | 85,5 | 92,5 | 113,5 | 113,5 | 138 | 158 | 158 |
| E | 8 | 10 | 15 | 20 | 25 | 32 | 40 | 50 |
| F | 11 | 11,4 | 15 | 16,3 | 19,1 | 21,4 | 21,4 | 25,7 |
| CH | 18 | 21 | 25 | 31 | 38 | 47 | 54 | 66 |
| Kg/cm ² bar | 5 | 5 | 5 | 5 | 5 | 5 | 5 | 5 |
| LBS - psi | 72,5 | 72,5 | 72,5 | 72,5 | 72,5 | 72,5 | 72,5 | 72,5 |

CERTIFICATIONS



LOSS DIAGRAM WITH WATER

Art: 066 - 067 - 068 - 069 - 266 - 267



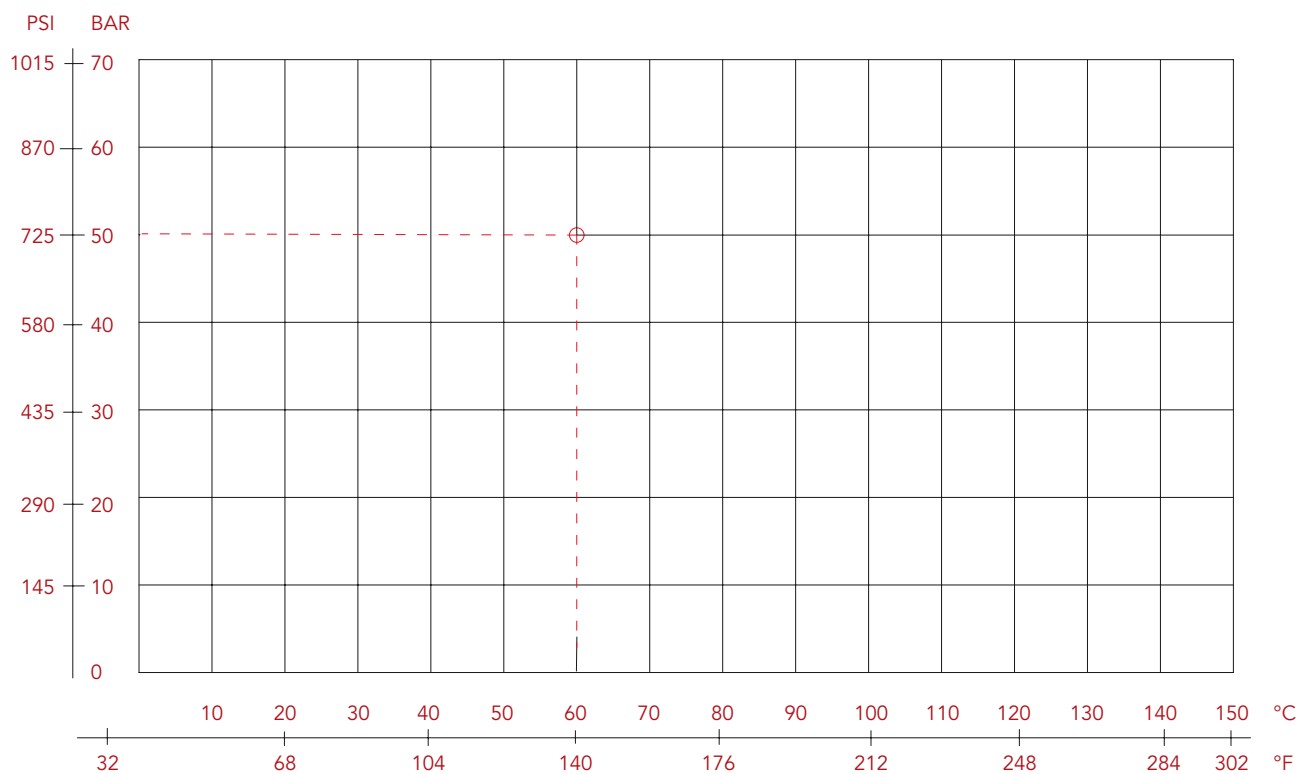
| SIZE | 1/4" | 3/8" | 1/2" | 3/4" | 1" | 1 1/4" | 1 1/2" | 2" |
|------|------|------|-------|-------|-------|--------|--------|-----|
| Ø | 10 | 10 | 15 | 20 | 25 | 32 | 40 | 50 |
| Kv | 3,45 | 5,00 | 15,65 | 26,26 | 41,44 | 63,69 | 101 | 169 |





PRESSURE-TEMPERATURE DIAGRAM

GAS BALL VALVES



NB: Maximum working temperature for gas: +60 °C
The working pressure for gas is from 0 to 5 bar.

MANUFACTURER INSTRUCTIONS

Installation

The itap S.p.A.'s valves are bi-directional, in the sense that they manage the flow in both the directions. The valves are composed by a ball, two seal in PTFE material, one stem, two sailing rings (O-Rings), one handle and a couple of parts made of brass (body and end adopter) that contain them and that are assembled by means of threat and a sealed material to obtain their aim. To avoid that the sealing material gets brake and than the valve gets lose the connection between body and the end adopter, it's necessary to avoid to submit the two parts under the influence of a torque.

For their installation ones have to use the normal hydraulic practices, and in particular:

- Ones have to be sure that the two pipes are correctly allied,
- during the assembling ones have to apply the assembling tool at the end that is nearest to the pipe,
- the application of the sealing materials by the fitter (PTFE or hempen cloth) must be limited at the threat zone. An excess should interferences in the ball-gasket's closure zone, compromising the tightness.
- In the case that the fluid transported presents some impurities (dust, water too hard, etc.) ones have to remove these impurities by the means of a filter. Otherwise they could damage the seals.

Disassembly the installed valve

To remove the valve from the pipe line or anyhow before to unscrew the junctions linked to it:

- wear the clothing protective normally required to work with the fluid transported within the line.
- Take out the pressure inside the line and operate in this way:
- positioning the valve in opened position and than empty the line
- handle the valve to put down the residue pressure contained inside the space between the ball and the body before of remove it from the line,
- during the disassembly apply the screw tool at the end of the valve nearest the pipe

Maintenance

Verify the valves periodically, in function of their application's field and in function of their work conditions, to be sure that the valves work correctly.

Warnings

- any deterioration or destruction of any part of the manually operated ball valve shall result in the need to replace complete valve: alterations to any part of the complete valve shall result in the valve no longer being in compliance with the performance requirements of EN 331 standard;
- ensure that the manually operated ball valve allows an adequate flow rate for its intended use;
- all installations should be performed in accordance with existing local installation regulations and codes of practice where they exist;
- it is imperative to follow the installation instructions of the manually operated ball valve manufacturer and of the appliance manufacturer, including those for the correct position of the connection point for the valve.





TEC

LONDON[®]



FULL FLOW GAS BALL VALVES: LONDON®



NOTES

Lined area for notes with horizontal dashed lines.





ITAP S.p.A.
Via Ruca 19
25065 Lumezzane
Brescia (ITALIA)
Tel 030 89270
Fax 030 8921990
www.itap.it - info@itap.it