

2/2 WAY PISTON VALVE G 1/2" ÷ 3/4"; STAINLESS STEEL

TECHNICAL SPECIFICATIONS

Media: water, oil, air, aggressive media and steam⁽¹⁾
 Media temperature: -10°C ... +180°C
 Ambient temperature: -10°C ... +60°C
 Pilot media: air, inert gases, water
 Body material: cast AISI 316L (see page 36)
 Bonnet material: cast AISI 316L (see page 36)
 Actuator body material: Polyamide PA6 (reinforced fiberglass 30%)
 Seal material: PTFE type TFM 1600
 Position indicator as standard

BENEFITS

Waterhammer-free design for BPG type (2 \bar{i} 1)
 Actuator housing rotation 360°
 Design suitable for vacuum applications up to 10⁻² mbar

OPTIONS

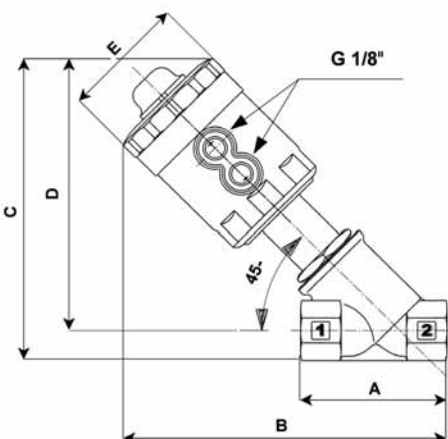
NPT connection (ex. code PN205CTW00)
 Weld ends see page 17

TYPE: COMPACT 45



| SELECTION TABLE | VALVES | connection | DN orifice | Flow rate Kvs | Working pressure ⁽¹⁾ | | Flow direction | Pilot pressure ⁽²⁾ | | Function |
|-----------------|------------|-------------|------------|---------------|---------------------------------|-----------------------------|----------------|-------------------------------|-----------------|-----------------|
| | Code | (ISO 228 G) | (mm) | (l/min) | min (bar) | max (bar) | | min (bar) | max (bar) | |
| | PG205CTW00 | 1/2" | 15 | 75 | 0 | 16 | 1 \bar{i} 2 | 3.8 | 10 | normally closed |
| PG206CTX00 | 3/4" | 20 | 133 | 0 | 16 | 1 \bar{i} 2 | 5.8 | 10 | normally closed | |
| BPG205CTW00 | 1/2" | 15 | 75 | 0 | 16 / 16 | 1 \bar{i} 2 2 \bar{i} 1 | 6.2 / 5 | 10 | normally closed | |
| BPG206CTX00 | 3/4" | 20 | 133 | 0 | 16 / 7 | 1 \bar{i} 2 2 \bar{i} 1 | 8.7 / 5 | 10 | normally closed | |
| RPG205CTW00 | 1/2" | 15 | 75 | 0 | 16 | 2 \bar{i} 1 | 4 | 10 | normally open | |
| RPG206CTX00 | 3/4" | 20 | 133 | 0 | 16 | 2 \bar{i} 1 | 6.2 | 10 | normally open | |
| DPG205CTW00 | 1/2" | 15 | 75 | 0 | 16 / 16 | 1 \bar{i} 2 2 \bar{i} 1 | 3 | 10 | double acting | |
| DPG206CTX00 | 3/4" | 20 | 133 | 0 | 16 / 16 | 1 \bar{i} 2 2 \bar{i} 1 | 5 | 10 | double acting | |

(1) Steam: Max. working pressure 10 bar (9 barg); - (2) Minimum pilot pressure at max. working pressure; for lower working pressure see selection charts;



VERSIONS

- NC normally closed, over seat flow (1 \bar{i} 2)
- NC normally closed, bidirectional (1 \bar{i} 2)
- NO normally open, under seat flow (2 \bar{i} 1)
- DOUBLE ACTING, bidirectional (1 \bar{i} 2)

DIMENSIONS & WEIGHTS

| Connection | Actuator ø | A | B | C | D | E | weight |
|-------------|------------|------|------|------|------|------|--------|
| (ISO 228 G) | (mm) | (mm) | (mm) | (mm) | (mm) | (mm) | (kg) |
| 1/2" | 45 | 65 | 144 | 136 | 123 | 57 | 0.8 |
| 3/4" | 45 | 75 | 155 | 142 | 126 | 57 | 0.9 |