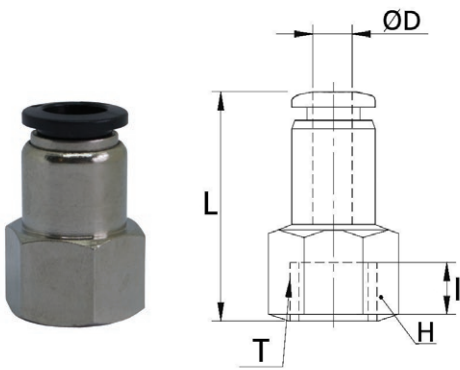


WTRCF-G

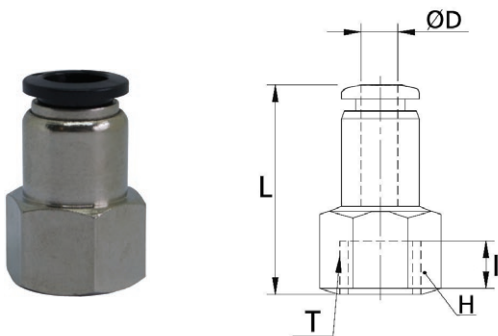
Female connector BSPP thread nickel plated



CODE	ØD	T	I	L	H	GR.
WTRCF04G01	4	G1/8"	7,0	22,3	14	12,5
WTRCF04G02	4	G1/4"	9,0	25,3	17	18,0
WTRCF06G01	6	G1/8"	7,0	24,4	14	15,0
WTRCF06G02	6	G1/4"	9,0	26,4	17	19,3
WTRCF06G03	6	G3/8"	10,0	27,4	19	26,3
WTRCF08G01	8	G1/8"	7,0	25,9	14	15,8
WTRCF08G02	8	G1/4"	9,0	27,9	17	19,4
WTRCF08G03	8	G3/8"	10,0	28,9	19	18,4
WTRCF08G04	8	G1/2"	12,0	30,9	24	32,8
WTRCF10G01	10	G1/8"	7,0	27,7	17	28,5
WTRCF10G02	10	G1/4"	9,0	29,7	17	27,0
WTRCF10G03	10	G3/8"	10,0	30,7	19	24,6
WTRCF10G04	10	G1/2"	12,0	32,7	24	38,5
WTRCF12G02	12	G1/4"	9,0	32,9	20	44,2
WTRCF12G03	12	G3/8"	10,0	33,9	20	35,9
WTRCF12G04	12	G1/2"	12,0	35,9	24	34,2

WTRCF-N

Female connector NPT thread nickel plated



CODE	ØD	T	I	L	H	LB
WTRCF532N01	5/32	N1/8"	0,295	0,937	0,562	0,027
WTRCF532N02	5/32	N1/4"	0,413	1,055	0,685	0,039
WTRCF316N01	3/16	N1/8"	0,295	0,960	0,562	0,031
WTRCF316N02	3/16	N1/4"	0,413	1,078	0,685	0,040
WTRCF1-4N01	1/4	N1/8"	0,295	0,980	0,562	0,033
WTRCF1-4N02	1/4	N1/4"	0,413	1,098	0,685	0,042
WTRCF516N01	5/16	N1/8"	0,295	1,039	0,562	0,034
WTRCF516N02	5/16	N1/4"	0,413	1,157	0,685	0,042
WTRCF516N03	5/16	N3/8"	0,433	1,177	0,874	0,040
WTRCF38N02	3/8	N1/4"	0,413	1,228	0,685	0,059
WTRCF38N03	3/8	N3/8"	0,433	1,248	0,874	0,054
WTRCF1-2N02	1/2	N1/4"	0,413	1,354	0,874	0,097
WTRCF1-2N03	1/2	N3/8"	0,433	1,374	0,874	0,079

