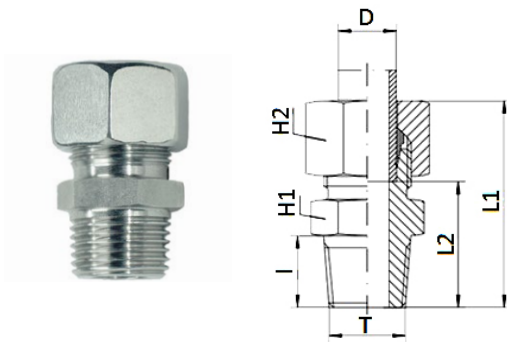


3700

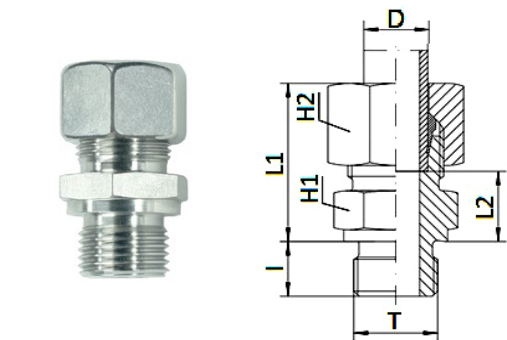
Male connector BSPT thread



CODE	T	ØD	I	L1	L2	H1	H2	BAR	GR.
3700TRLL184	R1/8"	4	8,0	26,0	16,0	11,0	10,0	100	19,0
3700TRL186	R1/8"	6	8,0	30,0	15,0	14,0	14,0	315	22,0
3700TRLL188	R1/8"	8	8,0	28,0	16,5	12,0	14,0	100	33,0
3700TRL148	R1/4"	8	12,0	35,0	20,0	17,0	17,0	315	38,0
3700TRL1410	R1/4"	10	12,0	36,0	21,0	17,0	19,0	315	43,0
3700TRL1412	R1/4"	12	12,0	37,0	22,0	19,0	22,0	315	56,0
3700TRL3812	R3/8"	12	12,0	37,0	22,0	19,0	22,0	315	71,0
3700TRL1212	R1/2"	12	14,0	39,0	24,0	22,0	22,0	315	82,0
3700TRL3815	R3/8"	15	12,0	38,0	23,0	24,0	27,0	315	96,0
3700TRL1215	R1/2"	15	14,0	40,0	25,0	24,0	27,0	315	103,0

3720

Male connector BSPP thread



CODE	T	ØD	L1	L2	I	H1	H2	BAR	GR.
3720TRL186	G1/8"	6	23,0	8,5	8,0	14	14	315	25,0
3720TRL146	G1/4"	6	27,0	9,0	12,0	19	14	315	35,0
3720TRL386	G3/8"	6	27,0	11,5	12,0	22	14	315	56,0
3720TRL126	G1/2"	6	29,0	12,0	14,0	27	14	315	73,0
3720TRL188	G1/8"	8	26,0	9,5	8,0	14	17	315	31,0
3720TRL148	G1/4"	8	25,0	10,0	12,0	19	17	315	43,0
3720TRL388	G3/8"	8	28,5	11,5	12,0	22	17	315	60,0
3720TRL128	G1/2"	8	28,5	13,0	14,0	27	17	315	90,0
3720TRL1410	G1/4"	10	26,0	11,0	12,0	19	19	315	48,0
3720TRL3810	G3/8"	10	30,5	12,5	12,0	22	19	315	62,0
3720TRL1210	G1/2"	10	32,5	13,0	14,0	27	19	315	92,0
3720TRL1412	G1/4"	12	30,0	12,0	12,0	19	22	315	58,0
3720TRL3812	G3/8"	12	27,0	12,5	12,0	22	22	315	70,0
3720TRL1212	G1/2"	12	31,0	13,0	14,0	27	22	315	94,0
3720TRL3412	G3/4"	12	31,0	14,0	16,0	32	22	315	147,0
3720TRL3815	G3/8"	15	31,0	13,5	12,0	24	27	315	97,0
3720TRL1215	G1/2"	15	29,0	14,0	14,0	27	27	315	116,0
3720TRL3415	G3/4"	15	32,5	15,0	16,0	32	27	315	161,0
3720TRS3816	G3/8"	16	36,0	18,0	12,0	27	30	400	104,0
3720TRS1216	G1/2"	16	37,0	18,5	14,0	27	30	400	122,0
3720TRS3416	G3/4"	16	39,0	20,5	16,0	32	30	400	167,0

