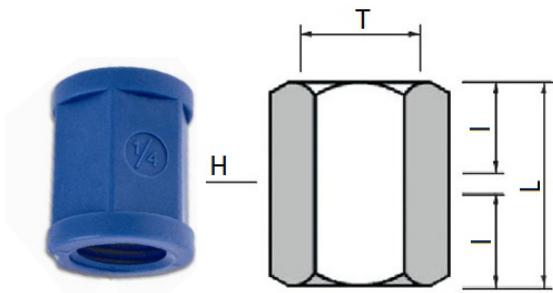


1825

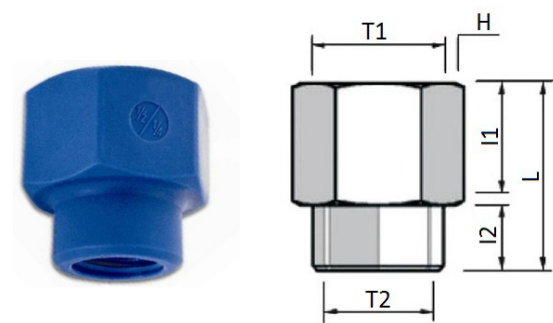
F/F sleeve BSPT thread



CODE	T	I	L	H	GR.
1825TR18	R1/8"	9,0	19,5	14	2,3
1825TR14	R1/4"	11,0	23,0	17	3,7
1825TR38	R3/8"	11,0	24,0	21	5,2
1825TR12	R1/2"	13,5	29,0	26	9,6
1825TR34	R3/4"	18,0	38,0	34	16,8

1827

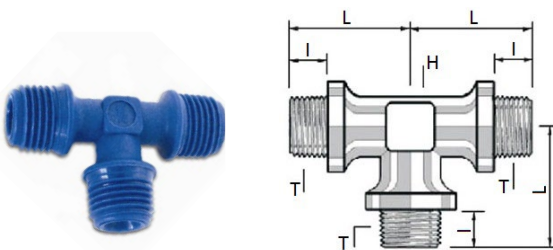
Reduced F/F sleeve BSPT thread



CODE	T1	T2	I1	I2	L	H	GR.
1827TR1418	R1/4"	R1/8"	11,0	9,0	21,5	17	3,2
1827TR3818	R3/8"	R1/8"	11,0	9,0	24,0	21	5,2
1827TR3814	R3/8"	R1/4"	11,0	11,0	24,5	21	6,0
1827TR1214	R1/2"	R1/4"	13,5	11,0	27,0	26	8,0
1827TR1238	R1/2"	R3/8"	13,5	11,0	27,0	26	7,7
1827TR3414	R3/4"	R1/4"	13,5	11,0	27,0	30	11,0
1827TR3412	R3/4"	R1/2"	13,5	11,0	27,0	30	14,5

1830

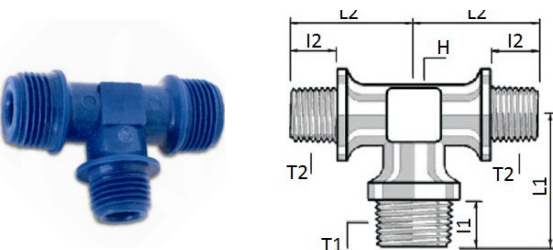
Male tee BSPT thread



CODE	T	I	L	H	GR.
1830TR18	R1/8"	8,0	20,0	12	4,0
1830TR14	R1/4"	10,0	22,0	12	5,0
1830TR38	R3/8"	10,0	25,0	15	10,0
1830TR12	R1/2"	12,5	32,0	17	22,0

1832

Central reduced male tee BSPT thread



CODE	T1	T2	I1	I2	L1	L2	H	GR.
1832TR1814	R1/8"	R1/4"	8,0	10,0	20,0	22,0	12	4,4
1832TR1438	R1/4"	R3/8"	10,0	10,0	25,0	24,0	15	9,3
1832TR3812	R3/8"	R1/2"	10,0	12,5	29,5	31,0	17	17,3
1832TR1418	R1/4"	R1/8"	10,0	8,0	22,0	20,0	12	5,6
1832TR3814	R3/8"	R1/4"	10,0	10,0	25,0	24,0	15	9,7
1832TR1238	R1/2"	R3/8"	12,5	10,0	32,0	31,0	17	17,0

