

0°C ÷ 60°C



Working pressure:
10 Bar
Negative pressure:
-750 mmHg



Compressed air & vacuum



Taper gas BSPT ISO 7 R1/8"
Parallel gas BSPP ISO 228 G1/8"
Metric ISO 262 M3, M5, M6



Polyamide, Polyurethane

Body:
PBT and nickel plated brass

Collar:
Nickel plated brass



Release sleeve:
POM

Lock claw:
Stainless steel AISI 301

Back ring:
POM

V-Seal / O-Ring:
NBR Silicon free



Products in compliance with the directive 2002/95/EC

RoHS2

Products in compliance with the directive 2011/65/EU

INSERTION OF THE TUBE INTO THE FITTING

- Make sure the tube is fully inserted into the fitting.
- To insert the tube into the fitting cut the tube at a squared angle (90°), insert up to the end and pull gently to make sure it is correctly connected.
- If there are any damages or scratches on the tube surface or an oval shape, air leakage and tube release may occur. Check it carefully.
- The OD of polyurethane tubes expand when pressure is applied. Reinsertion into the fitting may not be possible. Check the OD of the tube and change the tube if the expansion is serious.
- Always remove by cutting the part of the tube previously inserted into the fitting. Use a proper tube cutter in order to cut the tube.

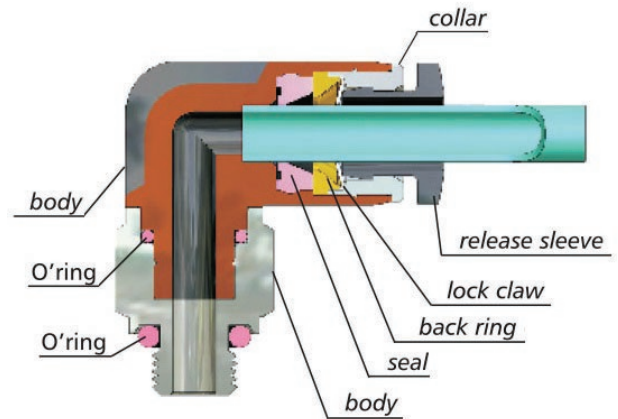
DISCONNECTION OF THE TUBE FROM THE FITTING

- Make sure the pressure is zero before releasing the tube from the fitting.
- To release the tube, press the release ring regularly at the end and pull the tube with one hand.

TOLERANCE TUBE

TUBES Ø	Ø 3 mm	Ø 4 mm	Ø 6 mm
TOLERANCES (MM)	± 0,1	± 0,1	± 0,1

CONSTRUCTION MATERIALS



INSERTION TUBE

DIAMETER TUBES Ø	Ø 3 mm	Ø 4 mm	Ø 6 mm
TUBES INSERTION LENGHT (MM)	11.2	11.7	12.7

