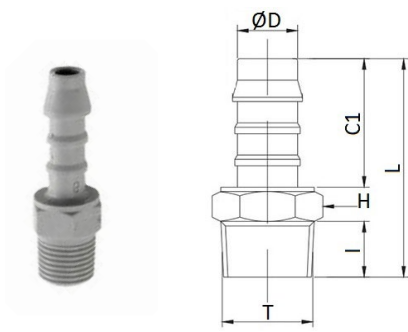


5015

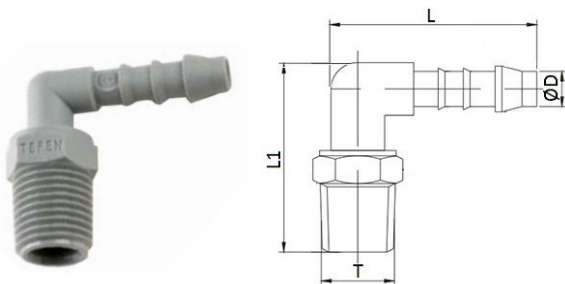
Male barb connector NPT thread



CODE	T	ØD	I	C1	L	H	GR.
5015TR18532	N1/8"	5/32"	8,0	16,0	30,5	11	1,0
5015TR18316	N1/8"	3/16"	9,0	21,0	20,5	11	1,0
5015TR14316	N1/4"	3/16"	13,0	21,0	40,5	14	1,0
5015TR1814	N1/8"	1/4"	9,0	23,0	32,5	17	1,5
5015TR14	N1/4"	1/4"	13,0	23,0	42,5	22	1,0
5015TR3814	N3/8"	1/4"	13,0	23,0	44,0	11	3,0
5015TR1214	N1/2"	1/4"	18,0	23,0	49,0	14	6,4
5015TR18516	N1/8"	5/16"	9,0	25,0	34,5	17	1,8
5015TR14516	N1/4"	5/16"	13,0	25,0	44,5	22	2,7
5015TR38516	N3/8"	5/16"	13,0	25,0	46,0	14	4,1
5015TR12516	N1/2"	5/16"	18,0	25,0	51,0	22	6,8
5015TR1438	N1/4"	3/8"	13,0	27,0	46,5	22	3,0
5015TR38	N3/8"	3/8"	13,0	27,0	48,0	27	5,0
5015TR1238	N1/2"	3/8"	18,0	27,0	53,0	22	7,4
5015TR3438	N3/4"	3/8"	19,0	27,0	54,0	27	9,8
5015TR1412	N1/4"	1/2"	13,0	28,0	47,5	22	3,5
5015TR3812	N3/8"	1/2"	13,0	28,0	49,0	17,5	5,0
5015TR12	N1/2"	1/2"	18,0	28,0	54,0	27	7,6
5015TR3412	N3/4"	1/2"	19,0	28,0	55,0	22	10,3
5015TR1258	N1/2"	5/8"	18,0	30,0	56,0	22	8,5
5015TR3458	N3/4"	5/8"	19,0	30,0	57,0	27	11,2
5015TR1234	N1/2"	3/4"	18,0	31,0	57,0	22	9,1
5015TR34	N3/4"	3/4"	19,0	31,0	58,0	27	11,9

5022

Male elbow barb connector NPT thread



CODE	T	ØD	L	L1	GR.
5022TR18532	5/32"	N1/8"	25,7	26,0	1,58
5022TR14532	5/32"	N1/4"	25,9	31,1	2,5
5022TR18316	3/16"	N1/8"	31,8	28,6	2,0
5022TR14316	3/16"	N1/4"	33,4	31,8	-
5022TR12316	3/16"	N1/2"	41,8	31,8	-
5022TR1814	1/4"	N1/8"	35,4	29,0	2,29
5022TR1414	1/4"	N1/4"	35,5	33,7	3,3
5022TR3814	1/4"	N3/8"	35,5	33,8	4,8
5022TR1214	1/4"	N1/2"	42,2	35,5	6,7
5022TR18516	5/16"	N1/8"	41,5	32,1	3,30
5022TR14516	5/16"	N1/4"	41,2	36,7	4,25
5022TR38516	5/16"	N3/8"	41,5	36,6	5,4
5022TR12516	5/16"	N1/2"	41,5	43,1	8,7
5022TR1438	3/8"	N1/4"	45,4	37,7	4,8
5022TR3838	3/8"	N3/8"	45,3	37,5	6,2
5022TR1238	3/8"	N1/2"	45,4	44,4	7,8
5022TR3438	3/8"	N3/4"	45,4	44,0	12,4
5022TR1412	1/2"	N1/4"	48,6	39,0	-
5022TR3812	1/2"	N3/8"	48,3	28,6	7,8
5022TR1212	1/2"	N1/2"	48,7	45,2	11,1
5022TR3412	1/2"	N3/4"	48,7	45,2	14,1
5022TR1258	5/8"	N1/2"	53,8	51,5	14,4
5022TR3458	5/8"	N3/4"	53,8	51,4	17,5
5022TR1234	3/4"	N1/2"	56,6	52,8	16,1
5022TR3434	3/4"	N3/4"	56,2	53,0	18,8

